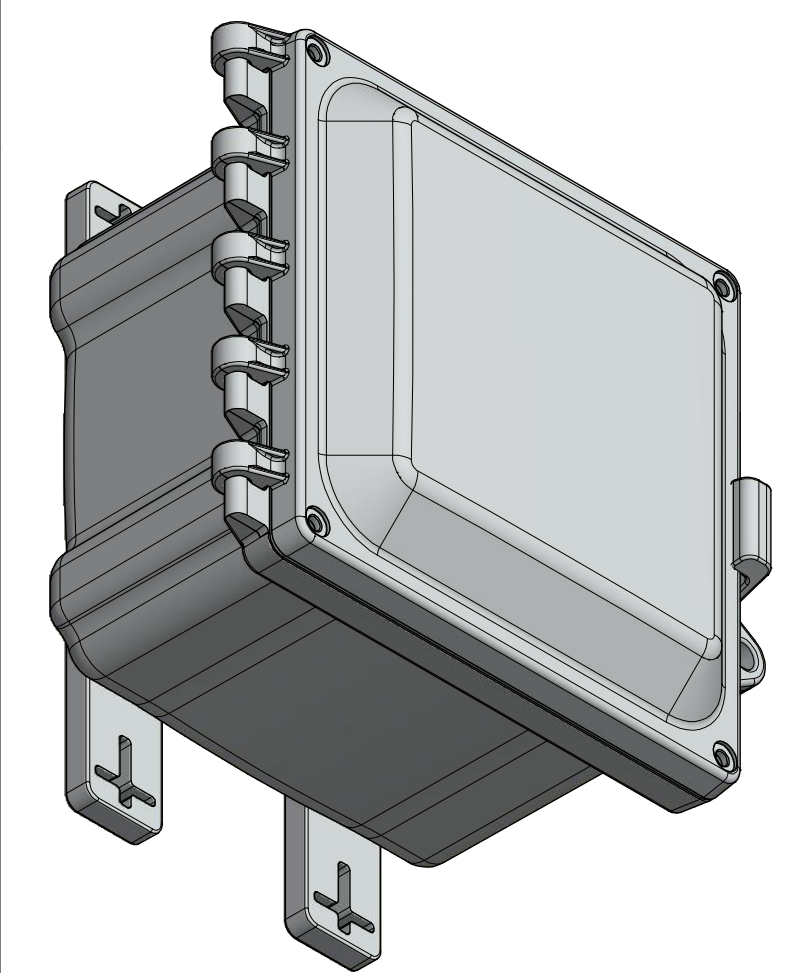
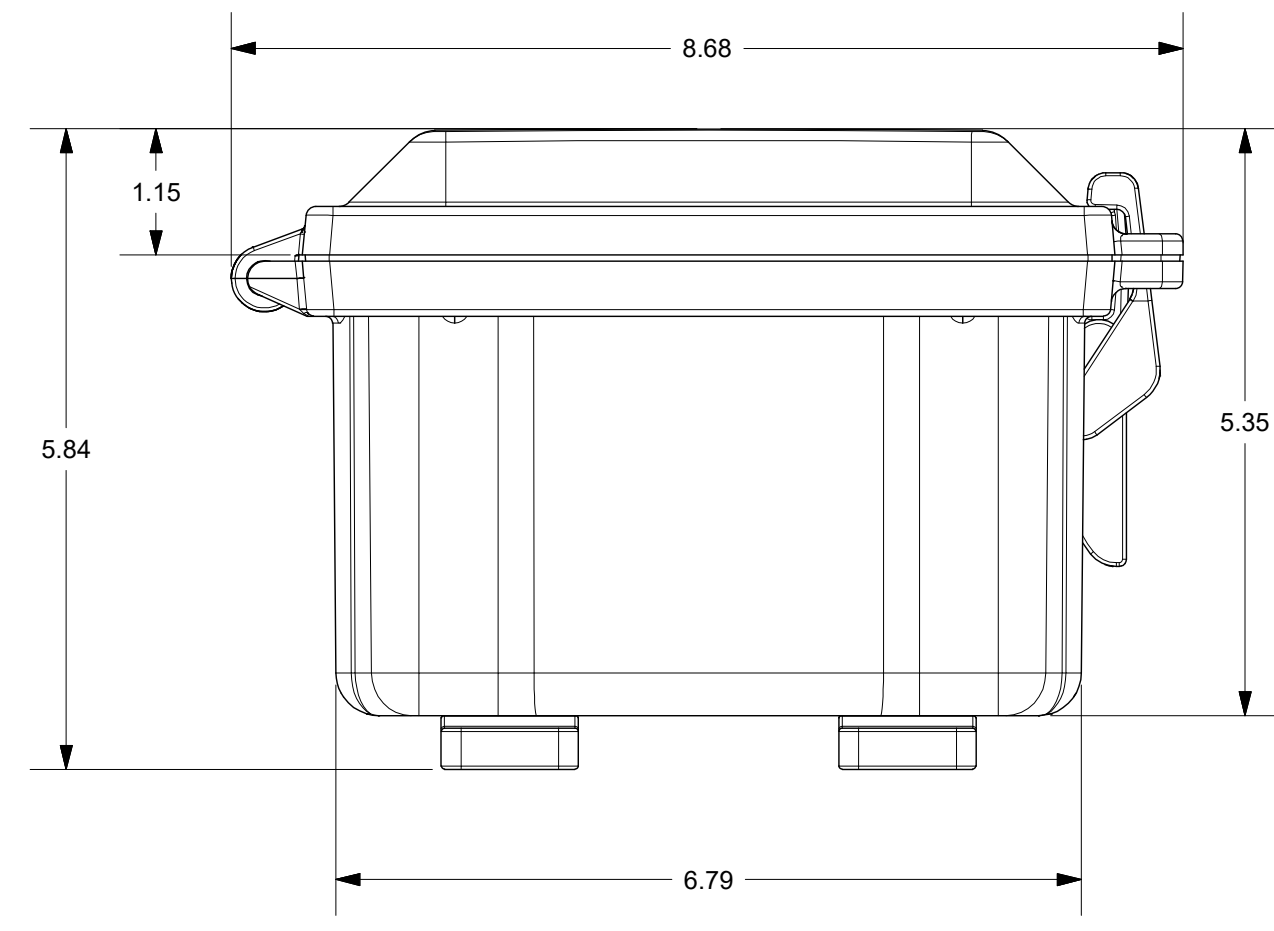
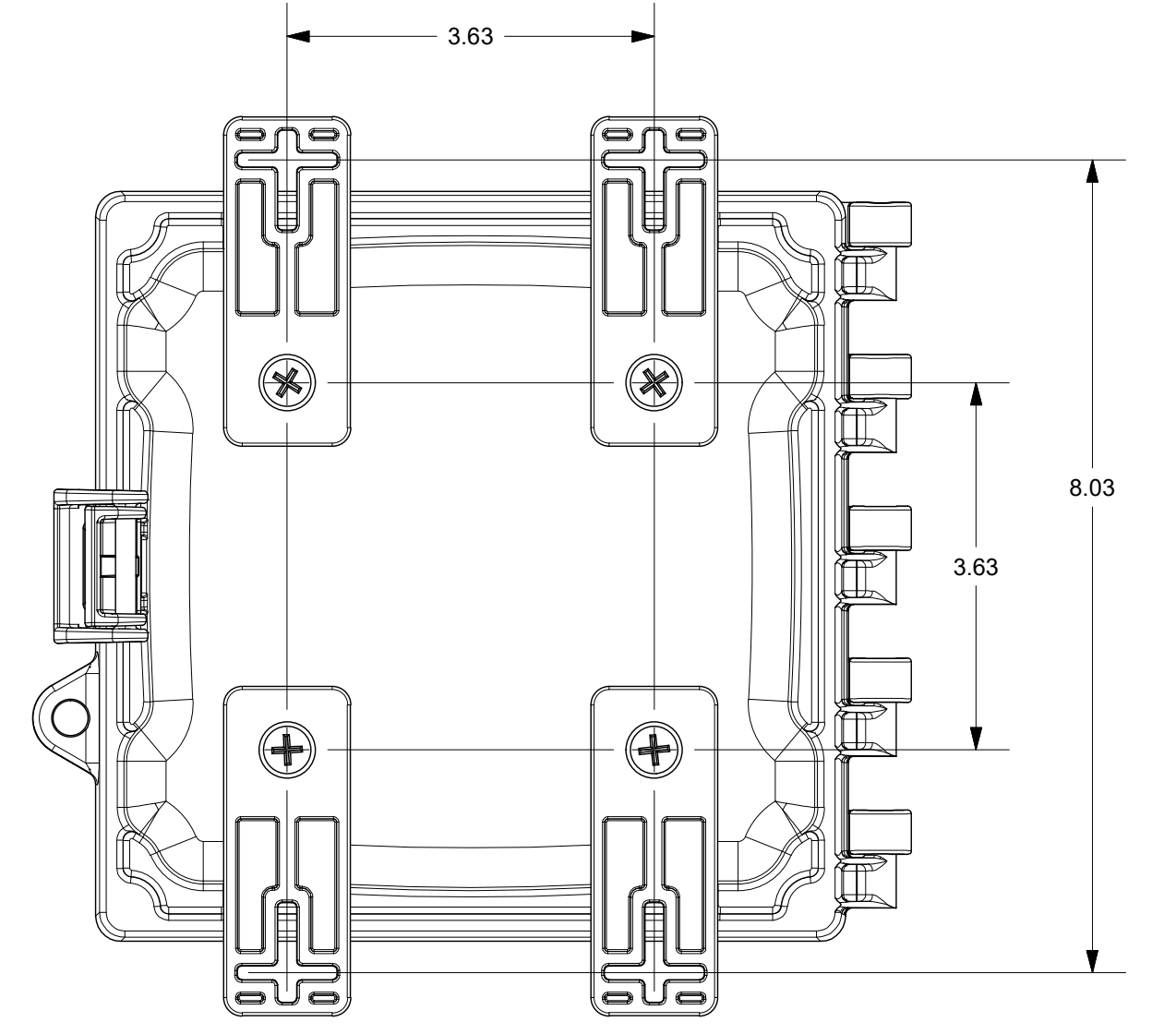
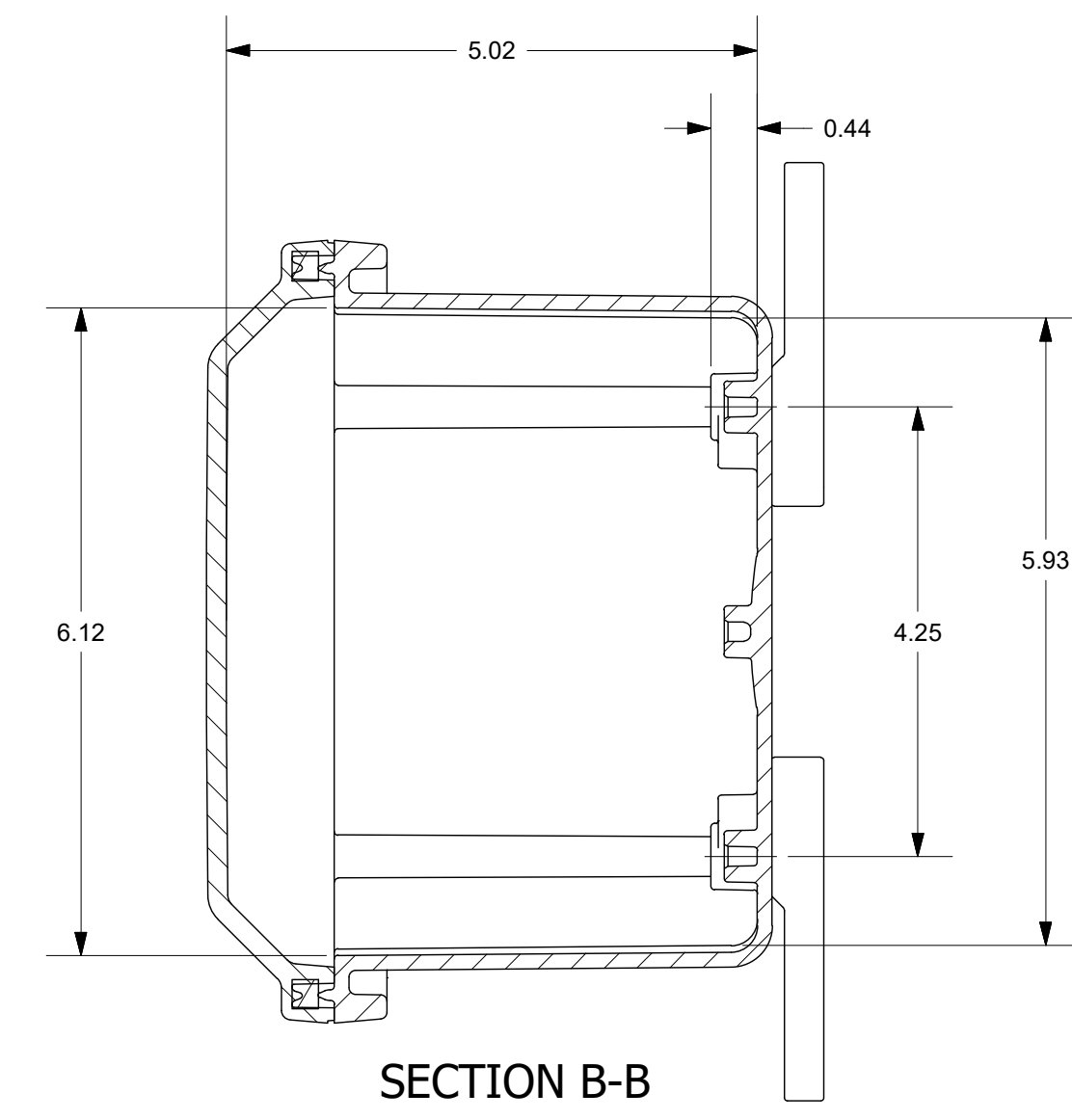
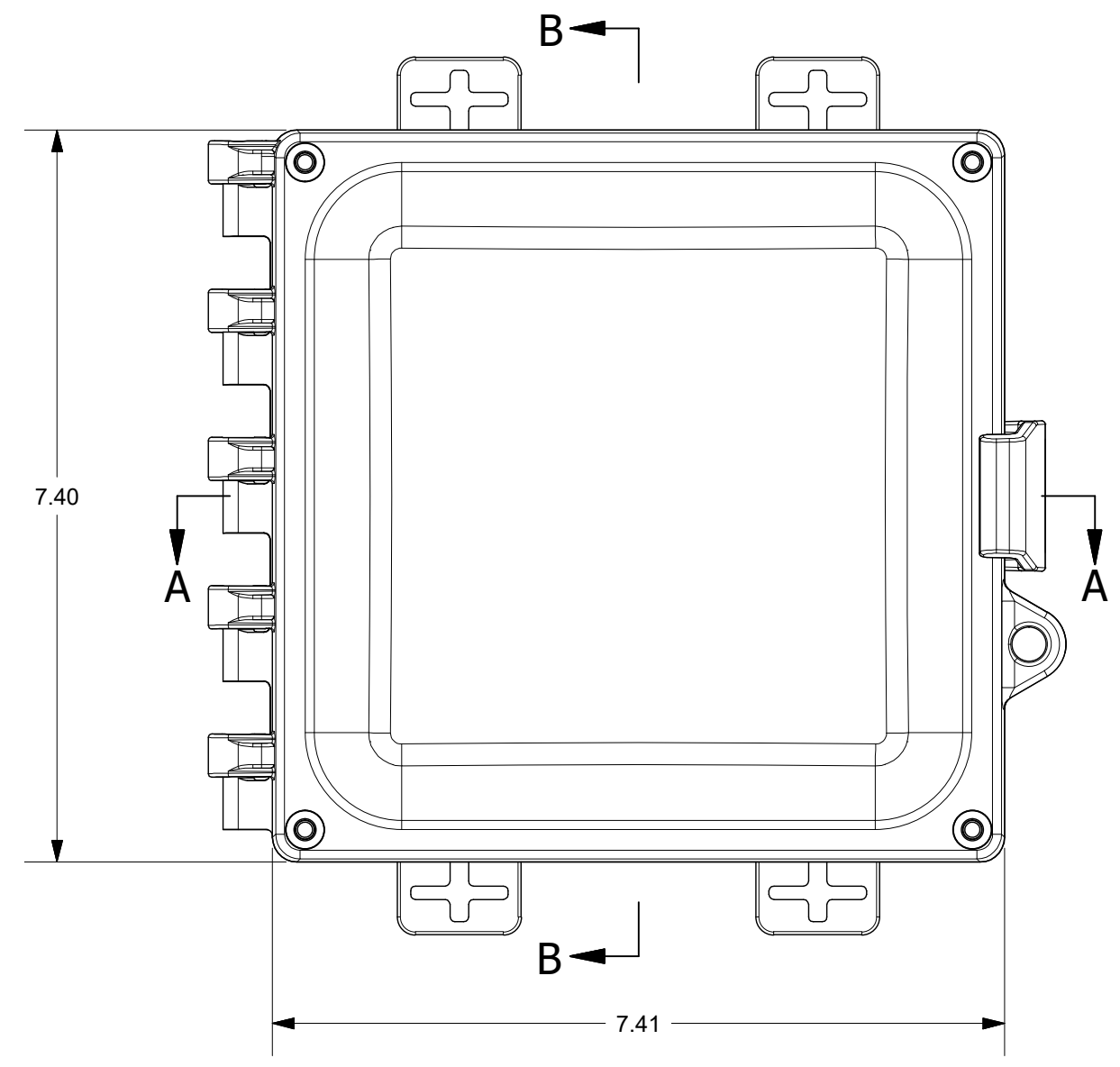
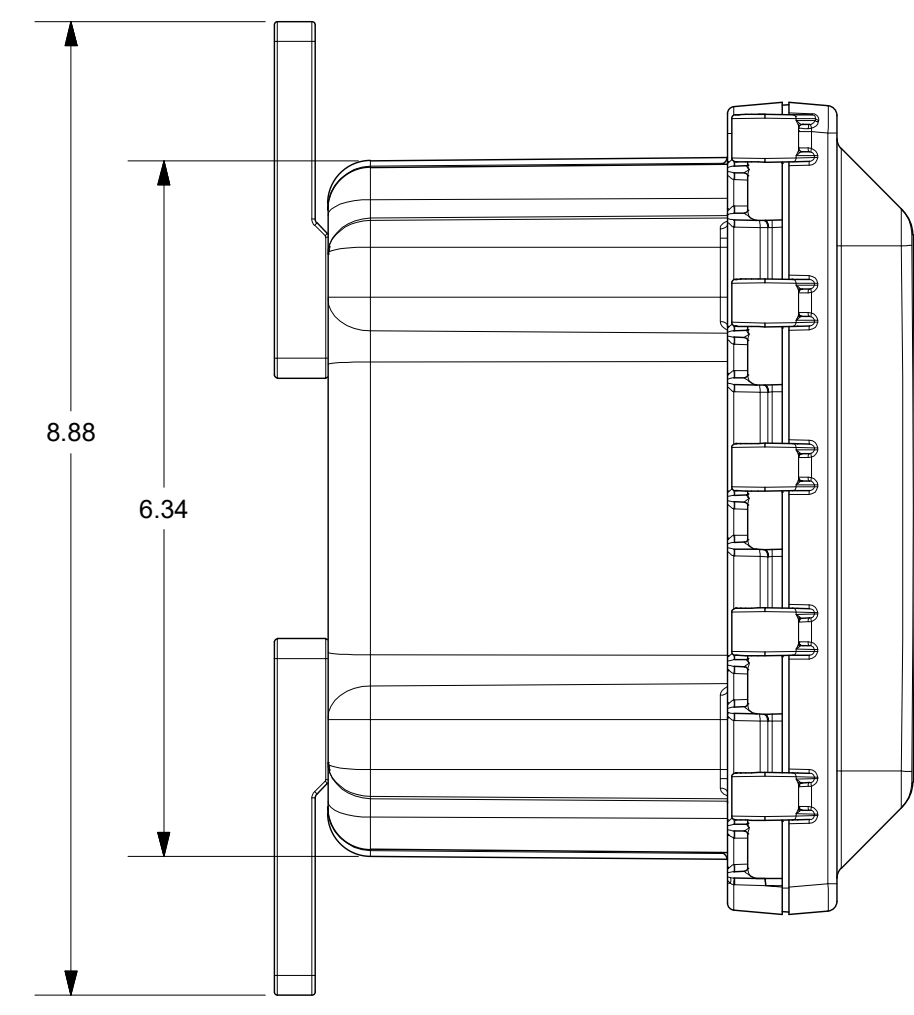


FOR REFERENCE ONLY
MOUNTING FEET SHOWN AS INSTALLED

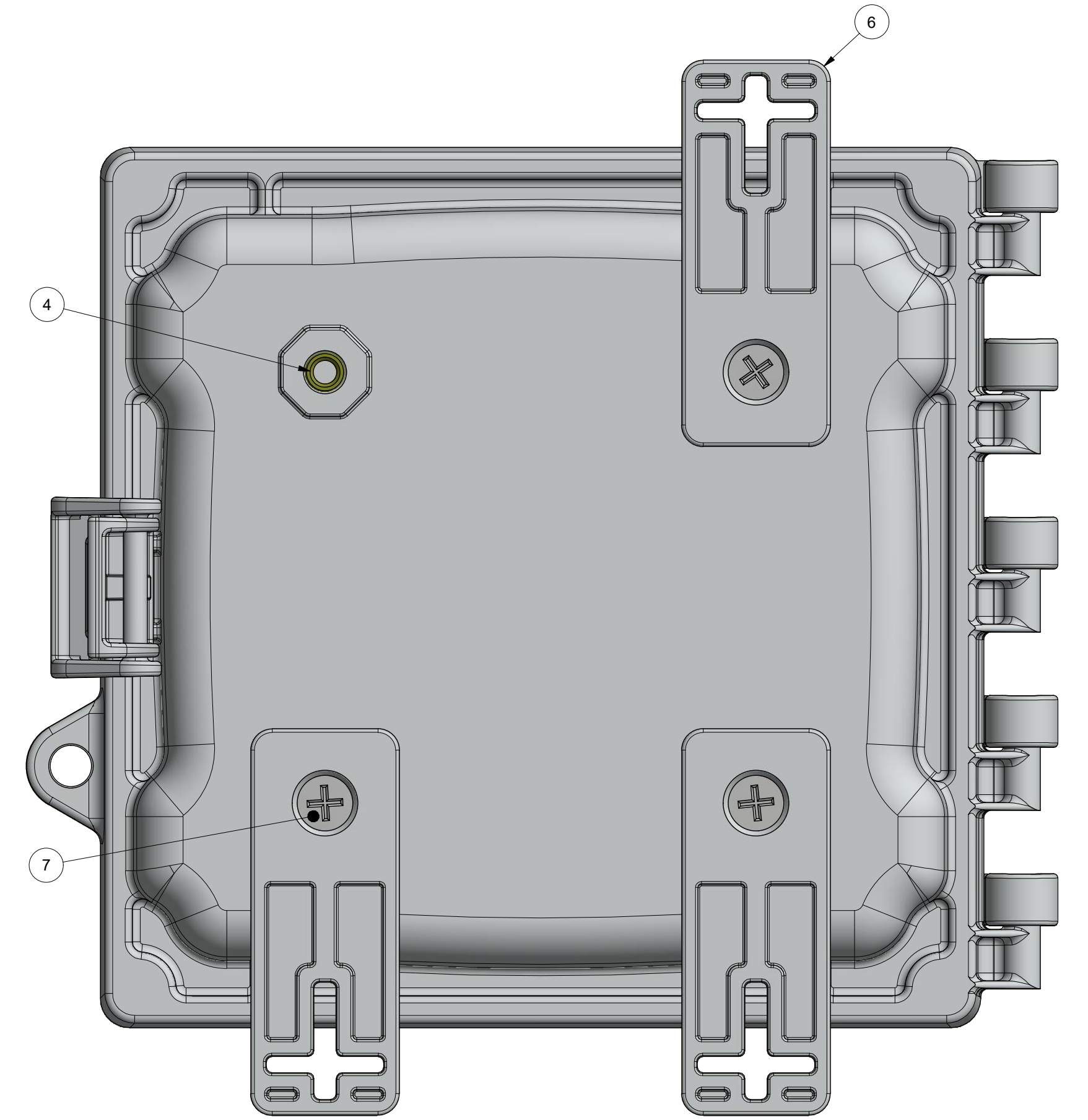
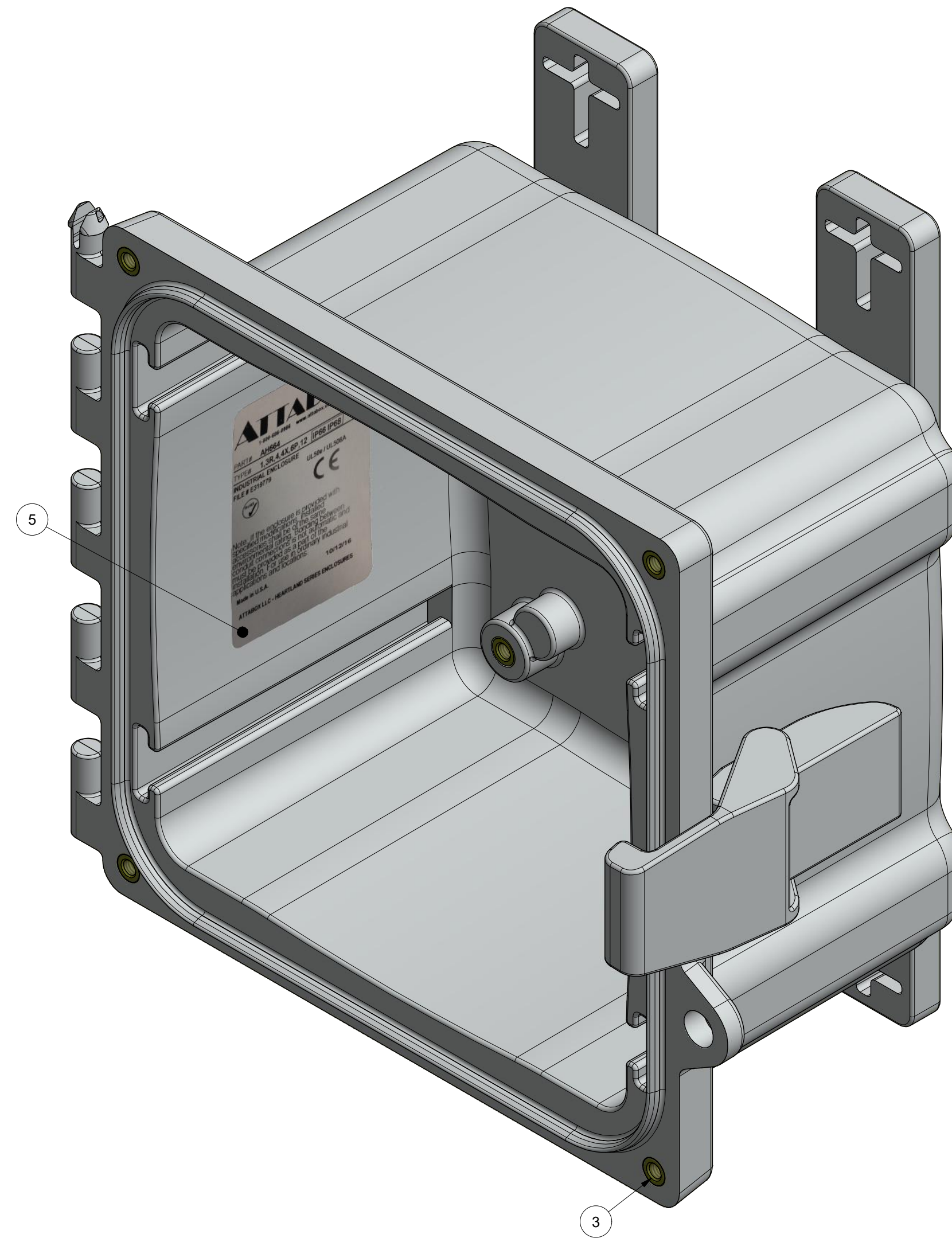
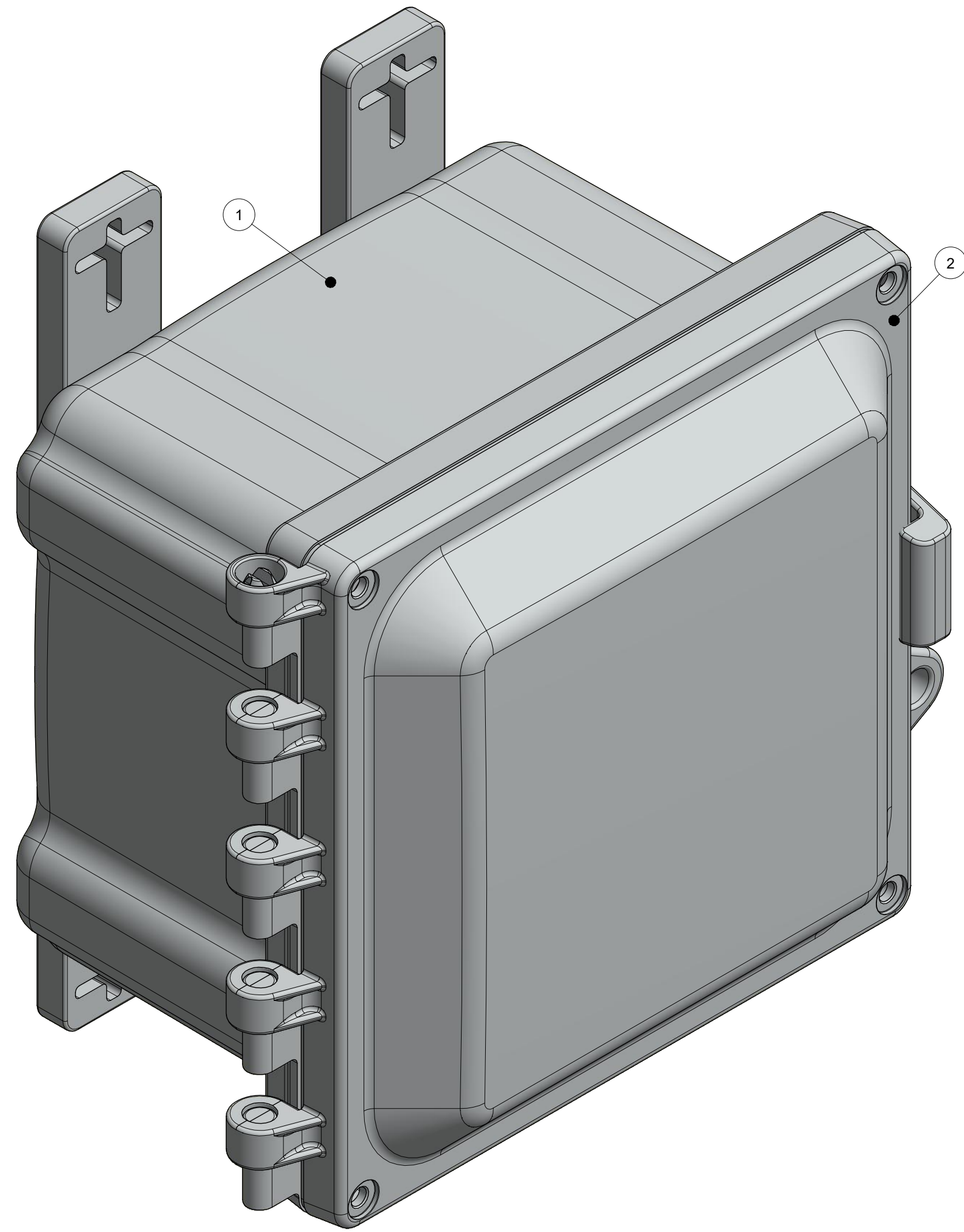


THIS DRAWING IS THE SOLE AND EXCLUSIVE PROPERTY OF ROBROY ENCLOSURES. NO PART OF THIS DRAWING MAY BE REPRODUCED, DISTRIBUTED, OR PUBLICALLY DISPLAYED IN ANY FORM OR BY ANY MEANS WITHOUT THE EXPRESS WRITTEN PERMISSION OF ROBROY ENCLOSURES. ALL RIGHTS RESERVED. UNDER THE COPYRIGHT LAWS. COPYRIGHT © 2016 ROBROY ENCLOSURES

SPECIAL REQUIREMENTS
 ASSEMBLY:
 1. (1) ACCESSORY KIT (ATAHAK) SHALL BE PACKAGED LOOSELY INSIDE ENCLOSURE
 HARDWARE INCLUDED:
 -(4) #14-20 x 1/2 FLAT HEAD PHILLIPS MACHINE SCREW (RMSC1/4-20X.5FLPH)
 -(4) #10-32 x 3/8 PAN HEAD PHILLIPS MACHINE SCREW (RMSC10/32X3/8SS)
 -(4) #10-32 x 3/8 PAN HEAD SCREW (RMSC10/32X3/8ZN)
 -(4) #10 WASHER (RMMWAS10ZN)
 2. (1) STYROFOAM SHEET SHALL BE PLACED ON TOP OF COVER INSIDE CARTON

NEMA 250: TYPE 1, 3R, 4, 4X, 6P, 12 IEC 60529: IP66, IP68		STANDARD P/N: AH664	ALL DIMENSIONS ARE IN INCHES UNLESS OTHERWISE SPECIFIED		TOLERANCES UNLESS SPECIFIED	.XX ± 0.03	.XXX ± 0.010
COLOR: N/A COLOR STANDARD: PANTONE 7541 C		CUSTOMER DWG:					
MATERIAL: POLYCARBONATE							
REVISION HISTORY		DRAWN BY		DATE	CUSTOMER		DWG
REV	DESCRIPTION	DATE	ENG	10/12/16	STANDARD ENCLOSURE		AH664
-	-	-	-	SCALE	PART NUMBER		
-	-	-	-	DO NOT SCALE	ATAH664		

Robroy Enclosures
 500 Maple Street
 Belding, Michigan 48809
 Phone: 616-794-0700
 Fax: 616-749-3378



BACK SIDE
 (1) MOUNTING FOOT REMOVED FOR CLARITY
 TORQUE SCREWS TO 10-14 IN.-LBS.

PARTS LIST			
ITEM	QTY	PART NUMBER	DESCRIPTION
1	1	WPPC664BOX	AH664 MOLDED BOX
2	1	WPPC664U	AH664 GASKETED COVER
3	8	RMAHINS10-32UNF	#10-32 UNF COVER & BACK PANEL BRASS INSERT
4	4	RMAHINS1/4-20UNC	1/4-20 UNC MOUNTING FOOT BRASS INSERT
5	1	RMLABLANK3X2	AH664 LABEL
6	4	RMAHFOOT-001	MOUNTING FOOT (INCLUDED WITH ATAHAK)
7	4	RMSC1/4-20X.5FLPH	1/4-20 x 1/2 FLAT HEAD PHILLIPS MACHINE SCREW
8	1	ATAHAK	ACCESSORY KIT (INCLUDES MOUNTING FEET)

THIS DRAWING IS THE SOLE AND EXCLUSIVE PROPERTY OF ROBROY ENCLOSURES. NO PART OF THIS DRAWING MAY BE REPRODUCED, DISTRIBUTED, OR PUBLICALLY DISPLAYED IN ANY FORM OR BY ANY MEANS WITHOUT THE EXPRESS WRITTEN PERMISSION OF ROBROY ENCLOSURES. ALL RIGHTS RESERVED. UNDER THE COPYRIGHT LAWS. COPYRIGHT © 2016 ROBROY ENCLOSURES

SPECIAL REQUIREMENTS

ASSEMBLY:
 1. (1) ACCESSORY KIT (ATAHAK) SHALL BE PACKAGED LOOSELY INSIDE ENCLOSURE

HARDWARE INCLUDED:
 (4) #1/4-20 x 1/2 FLAT HEAD PHILLIPS MACHINE SCREW (RMSC1/4-20X.5FLPH)
 (4) #10-32 x 3/8 PAN HEAD PHILLIPS MACHINE SCREW (RMSC10/32X3/8SS)
 (4) #10-32 x 3/8 PAN HEAD SCREW (RMSC10/32X3/8ZN)
 (4) #10 WASHER (RMMWAS10ZN)

2. (1) STYROFOAM SHEET SHALL BE PLACED ON TOP OF COVER INSIDE CARTON

NEMA 250: TYPE 1, 3R, 4, 4X, 6P, 12
 IEC 60529: IP66, IP68
 COLOR: N/A
 COLOR STANDARD: PANTONE 7541 C

MATERIAL: POLYCARBONATE

STANDARD P/N: AH664
 CUSTOMER DWG:

www.atabox.com
 DRAWN BY: DRH
 DATE: 10/12/16
 SCALE: DO NOT SCALE

ALL DIMENSIONS ARE IN INCHES UNLESS OTHERWISE SPECIFIED

TOLERANCES UNLESS SPECIFIED .XX ± 0.03 .XXX ± 0.010

ATTABOX

Robroy Enclosures
 500 Maple Street
 Belding, Michigan 48809
 Phone: 616-794-0700
 Fax: 616-749-3378

CUSTOMER DESCRIPTION: STANDARD ENCLOSURE
 PART NUMBER: ATAH664
 DWG: AH664