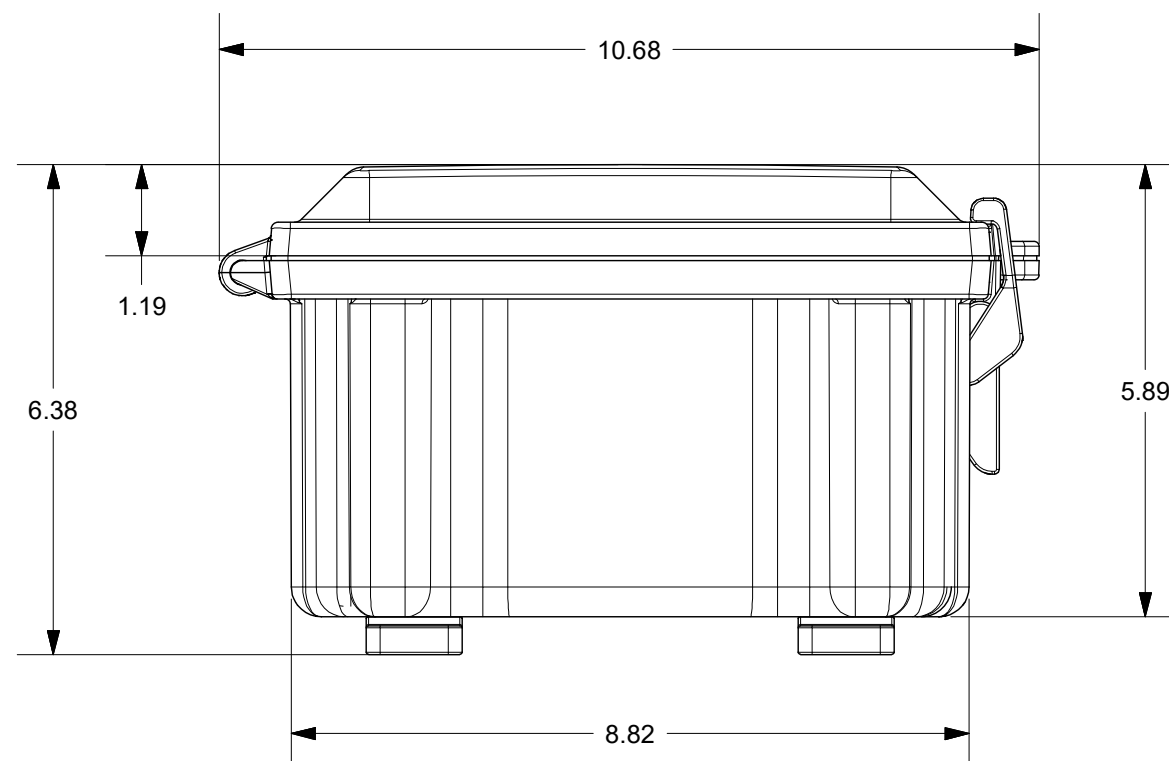
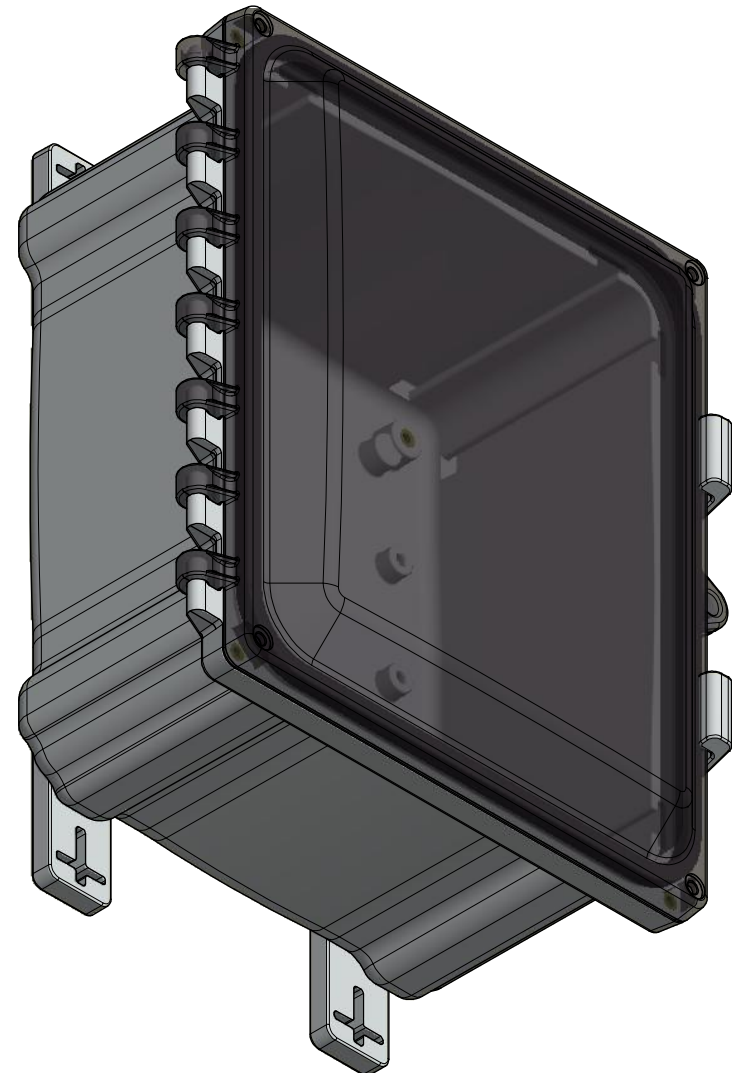
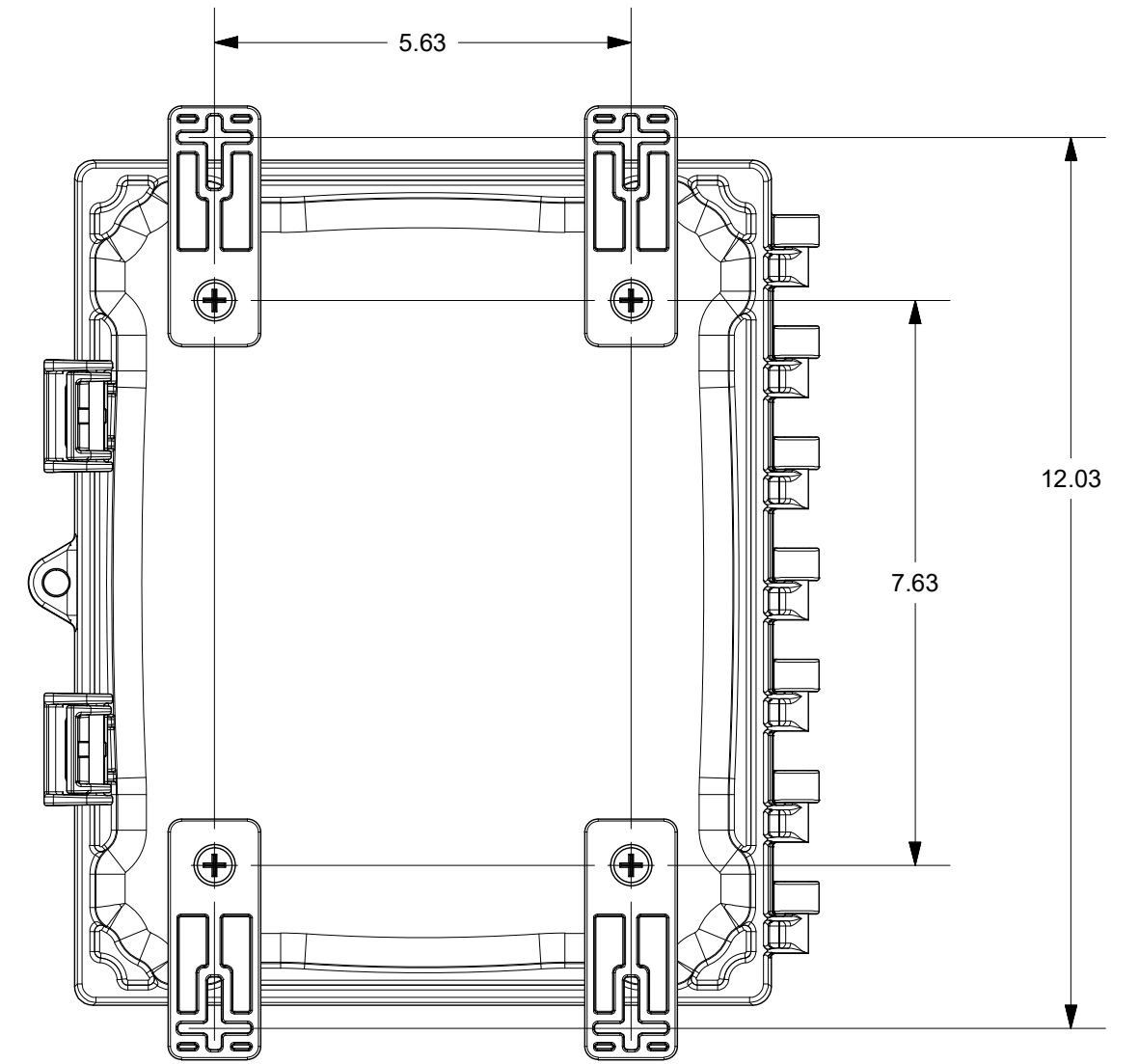
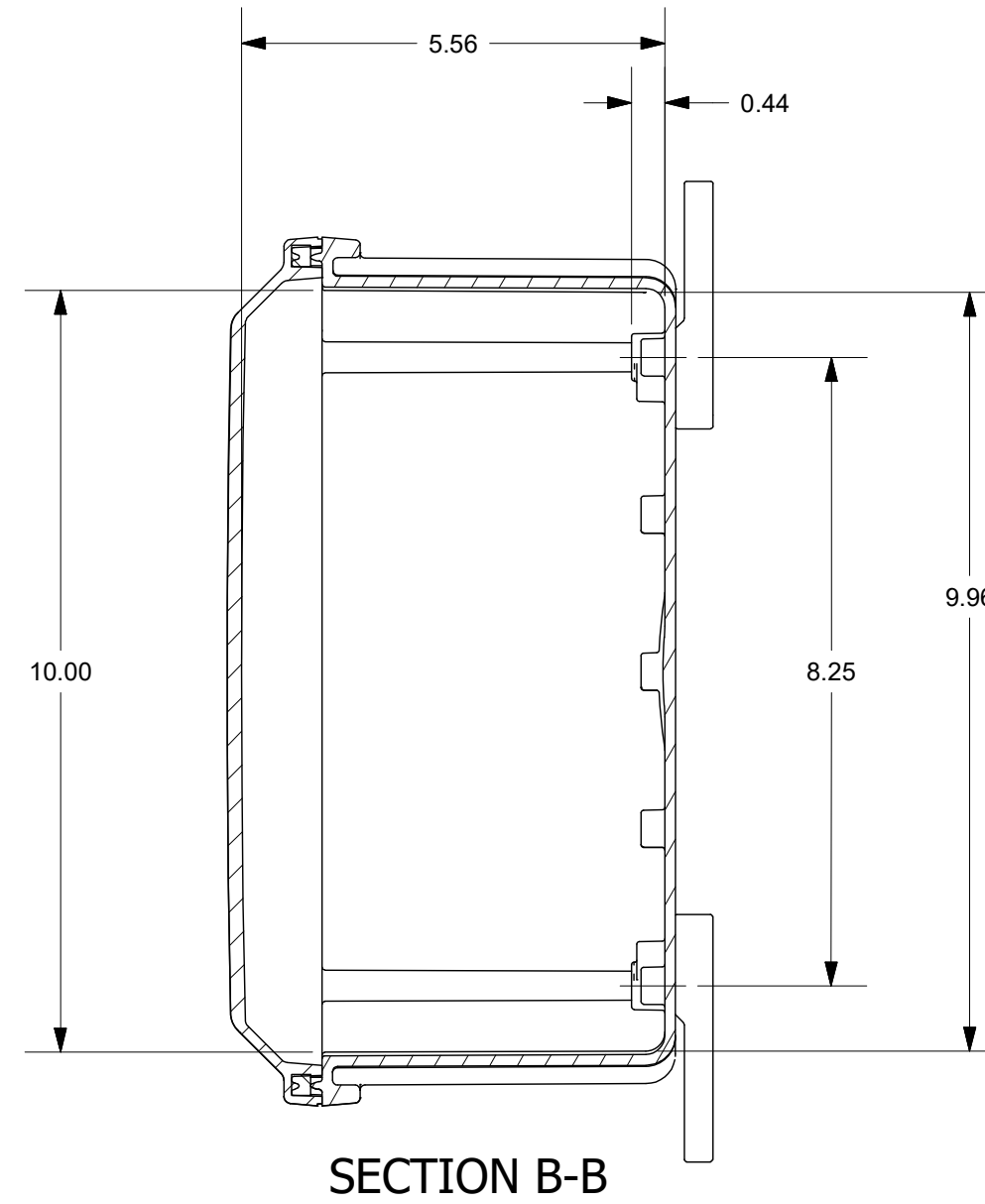
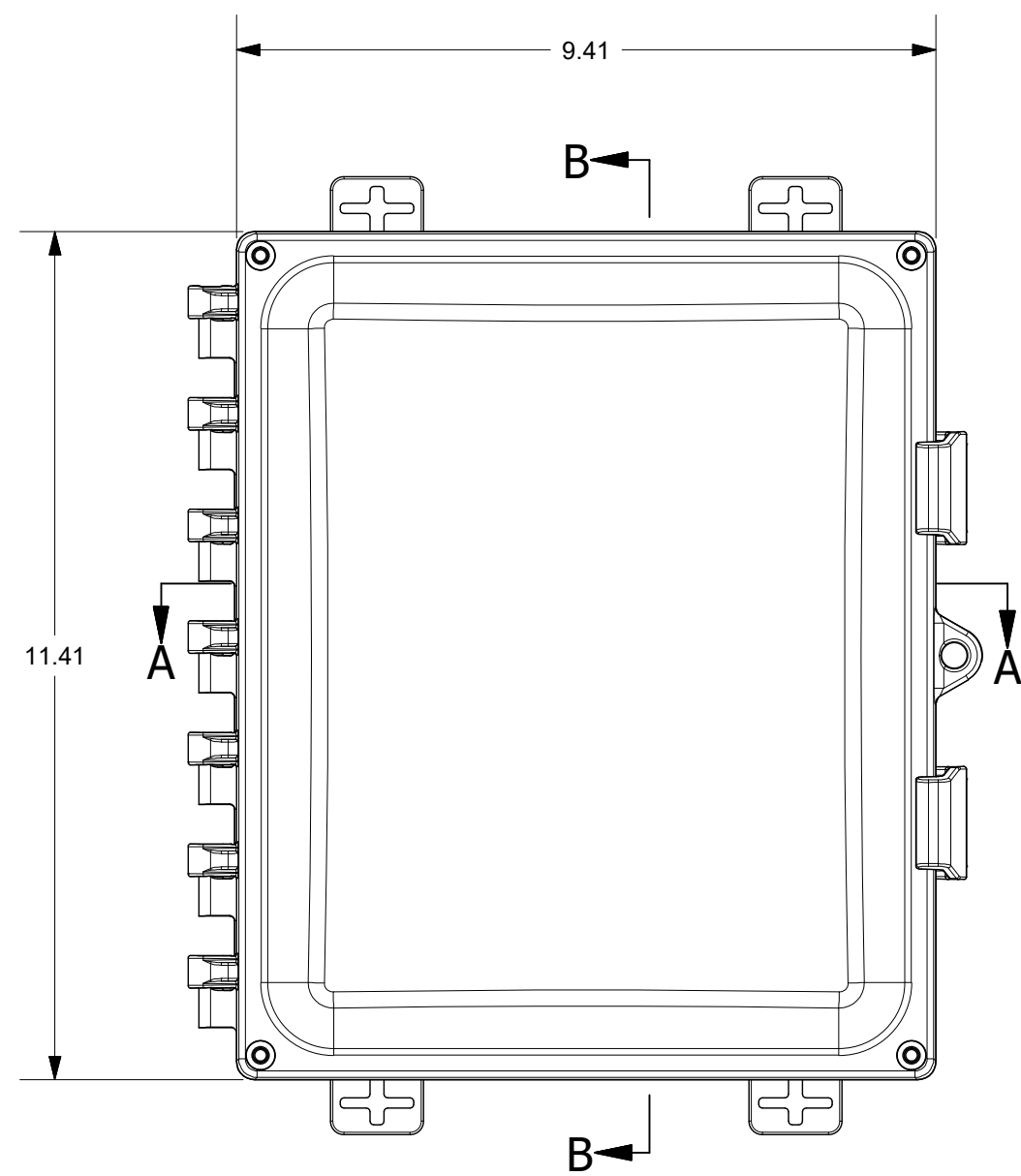
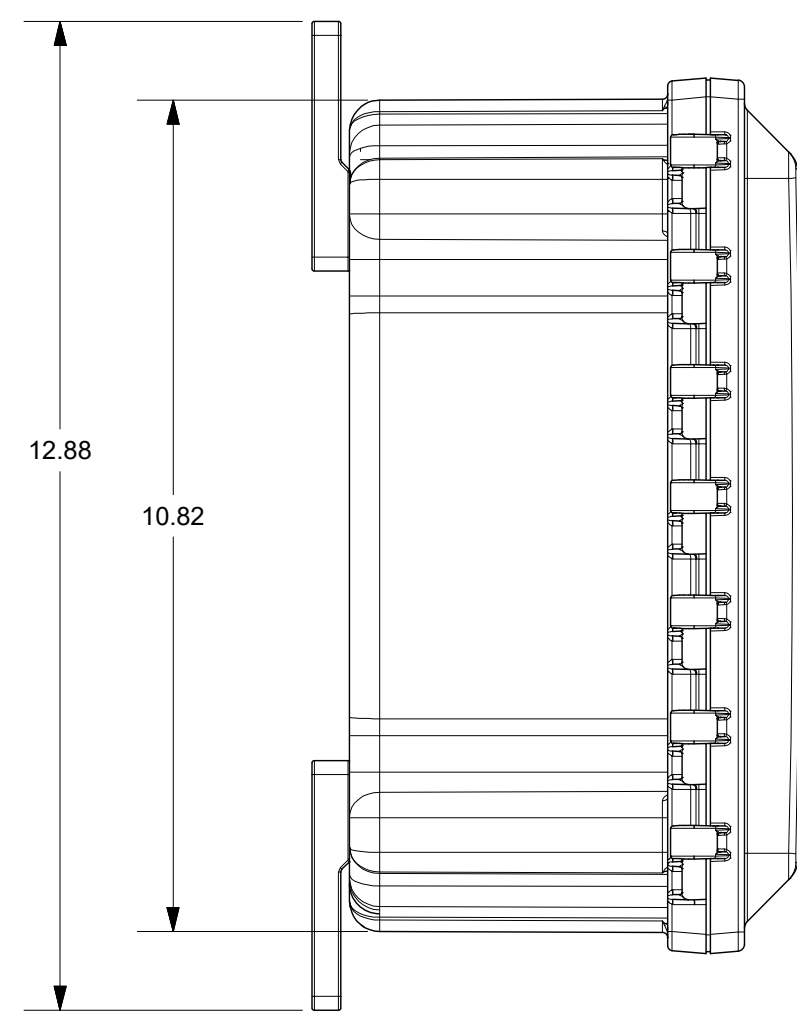
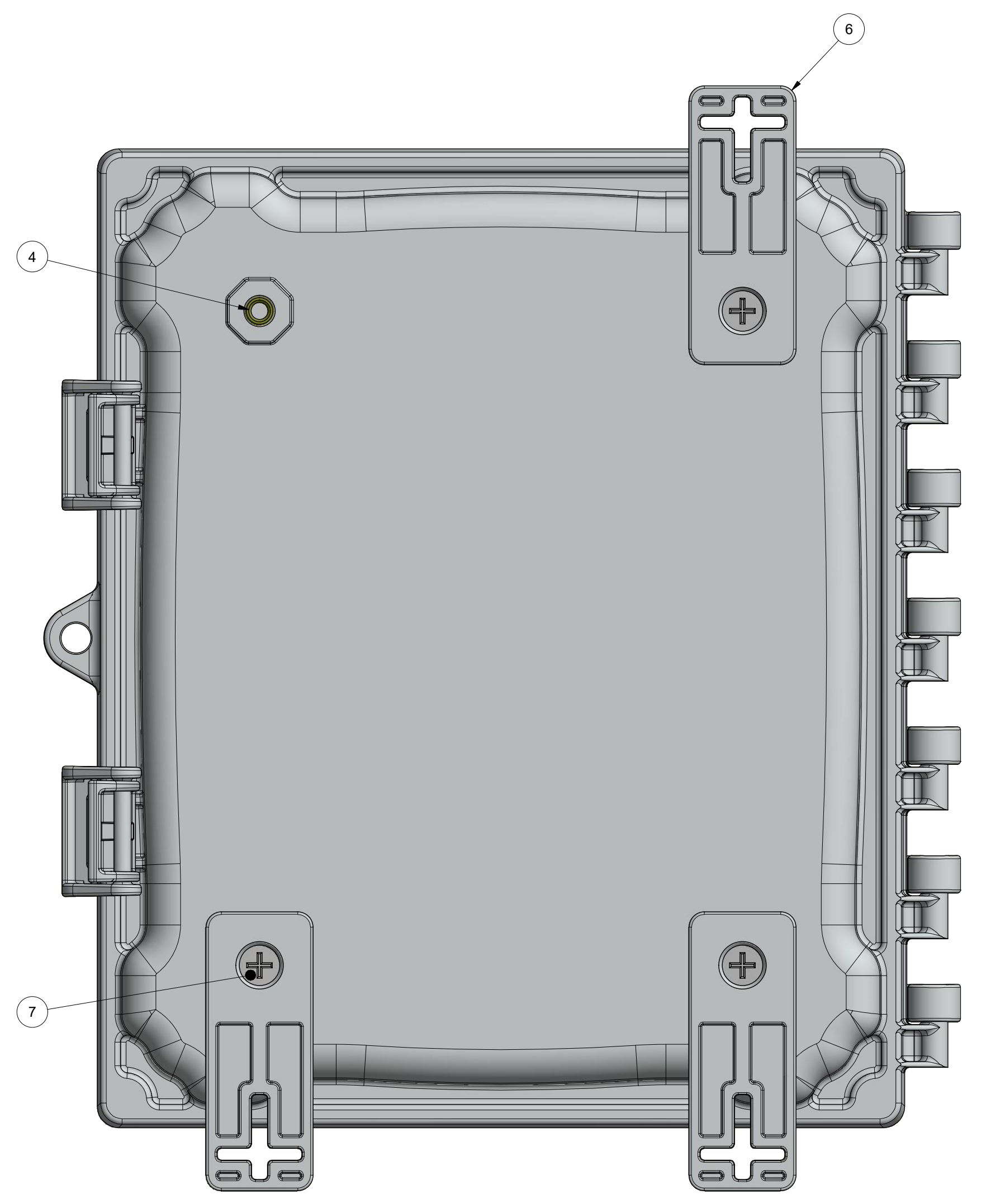
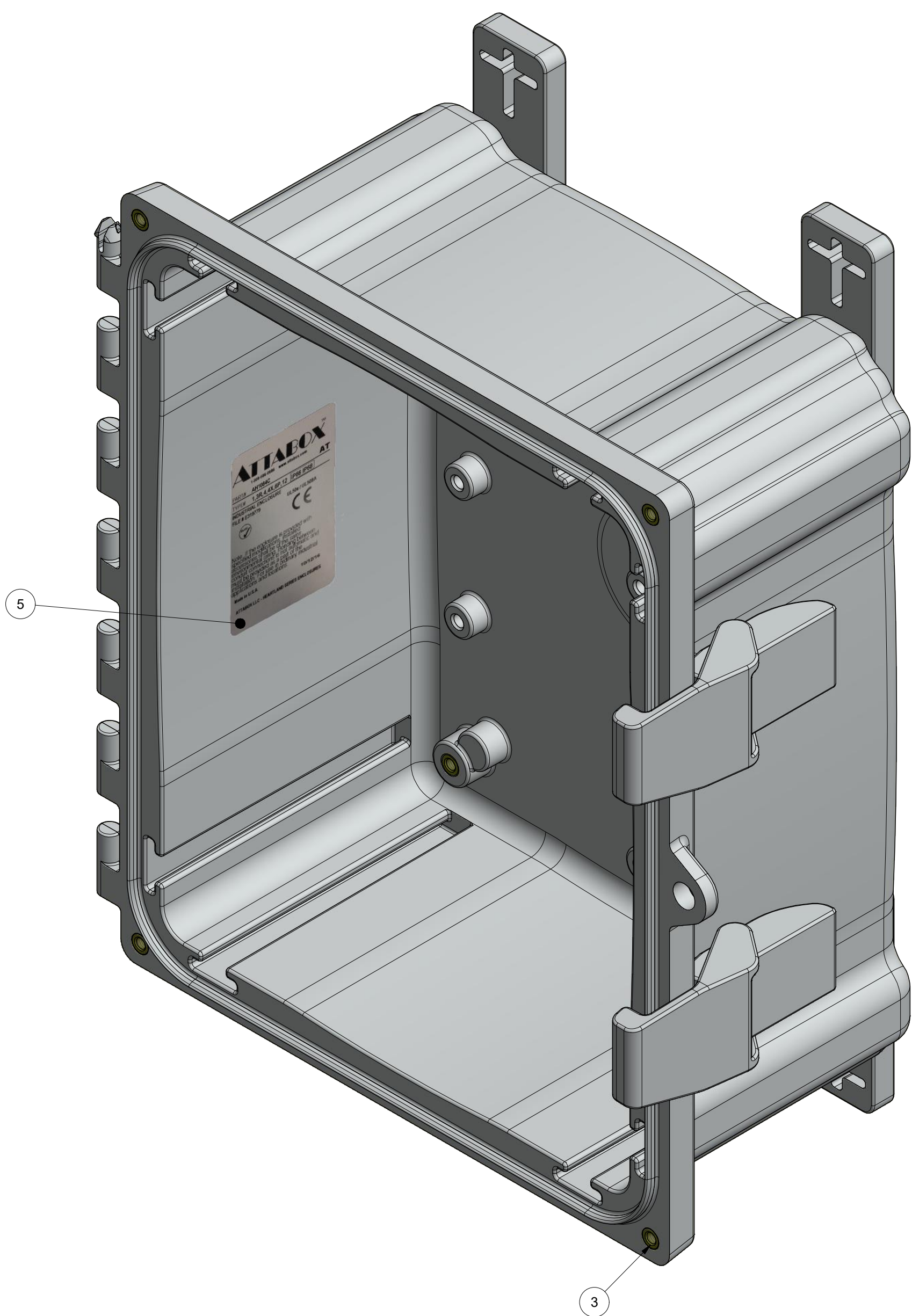
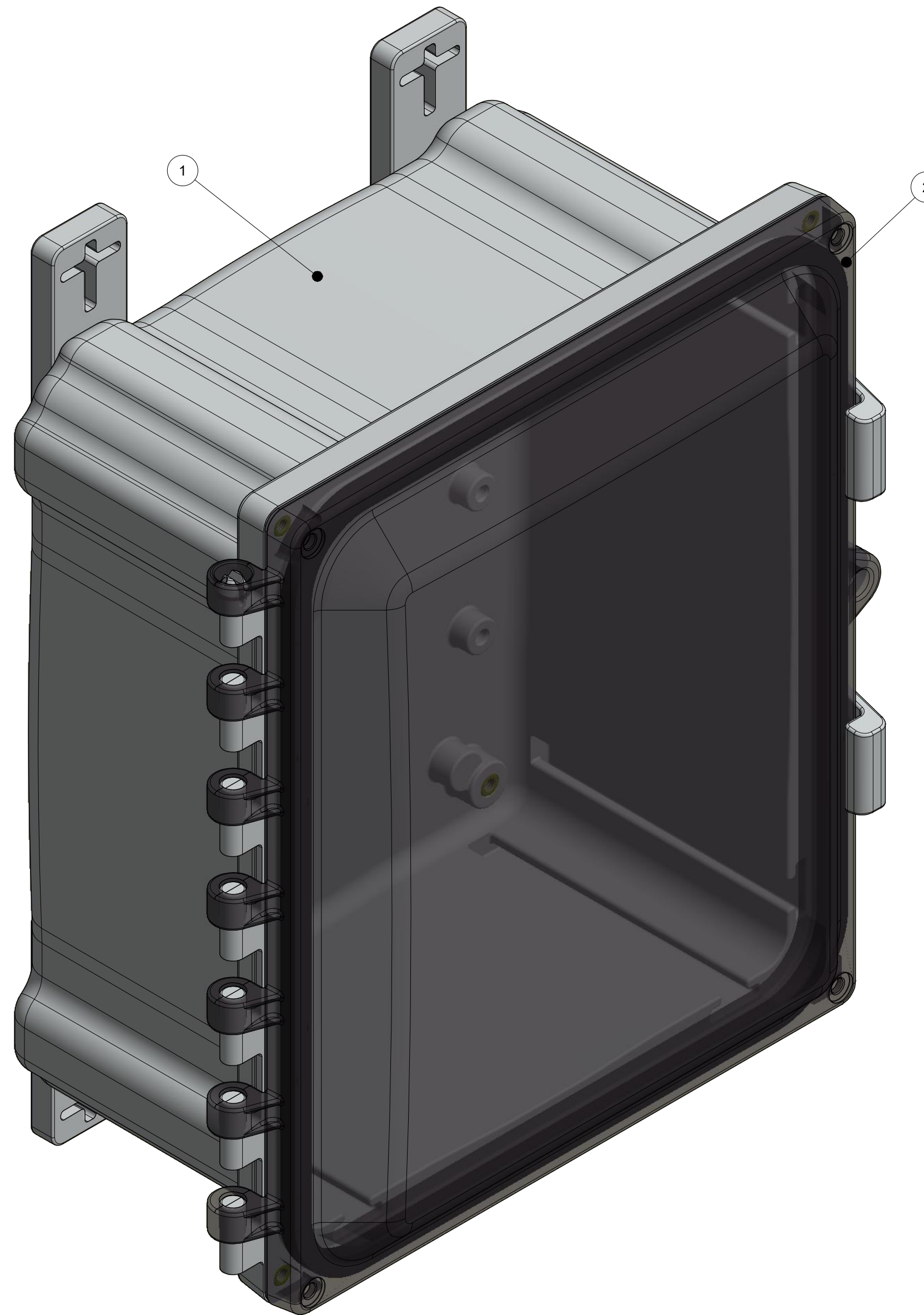


FOR REFERENCE ONLY  
MOUNTING FEET SHOWN AS INSTALLED



THIS DRAWING IS THE SOLE AND EXCLUSIVE PROPERTY OF ROBROY ENCLOSURES. NO PART OF THIS DRAWING MAY BE REPRODUCED, DISTRIBUTED, OR PUBLICALLY DISPLAYED IN ANY FORM OR BY ANY MEANS WITHOUT THE EXPRESS WRITTEN PERMISSION OF ROBROY ENCLOSURES. ALL RIGHTS RESERVED. UNDER THE COPYRIGHT LAWS. COPYRIGHT © 2016 ROBROY ENCLOSURES.

SPECIAL REQUIREMENTS				NEMA 250: TYPE 1, 3R, 4, 4X, 6P, 12 IEC 60529: IP66, IP68		STANDARD P/N: AH1084C		ALL DIMENSIONS ARE IN INCHES UNLESS OTHERWISE SPECIFIED		TOLERANCES UNLESS SPECIFIED																													
<b>ASSEMBLY:</b> 1 (1) ACCESSORY KIT (ATAHAK) SHALL BE PACKAGED LOOSELY INSIDE ENCLOSURE <b>HARDWARE INCLUDED:</b> - (4) #14-20 x 1/2 FLAT HEAD PHILLIPS MACHINE SCREW (RMSC114-20X.5FLPH) - (4) #10-32 x 5/8 PAN HEAD PHILLIPS MACHINE SCREW (RMSC1032X5/8SS) - (4) #10-32 x 3/8 PAN HEAD SCREW (RMSC1032X3/8ZN) - (4) #10 WASHER (RMWAS10ZN) 2 (1) STYROFOAM SHEET SHALL BE PLACED ON TOP OF COVER INSIDE CARTON				COLOR: N/A COLOR STANDARD: PANTONE 7541 C		CUSTOMER DWG:				.XX ± 0.03 .XXX ± 0.010																													
<b>MATERIAL: POLYCARBONATE</b>				<b>REVISION HISTORY</b>		DRAWN BY: AJC DATE: 10/22/16		CUSTOMER		DWG: AH1084C																													
<table border="1"> <thead> <tr> <th>REV</th> <th>DESCRIPTION</th> <th>DATE</th> <th>ENG</th> </tr> </thead> <tbody> <tr><td>-</td><td>-</td><td>-</td><td>-</td></tr> <tr><td>-</td><td>-</td><td>-</td><td>-</td></tr> <tr><td>-</td><td>-</td><td>-</td><td>-</td></tr> <tr><td>-</td><td>-</td><td>-</td><td>-</td></tr> <tr><td>-</td><td>-</td><td>-</td><td>-</td></tr> <tr><td>-</td><td>-</td><td>-</td><td>-</td></tr> </tbody> </table>				REV	DESCRIPTION	DATE	ENG	-	-	-	-	-	-	-	-	-	-	-	-	-	-	-	-	-	-	-	-	-	-	-	-	SCALE: DO NOT SCALE		DESCRIPTION: STANDARD ENCLOSURE		PART NUMBER: AH1084C		ATTABOX <b>Robroy Enclosures</b> 500 Maple Street Belding, Michigan 48809 Phone: 616-794-0700 Fax: 616-749-3378	
REV	DESCRIPTION	DATE	ENG																																				
-	-	-	-																																				
-	-	-	-																																				
-	-	-	-																																				
-	-	-	-																																				
-	-	-	-																																				
-	-	-	-																																				



**BACK SIDE**  
 (1) MOUNTING FOOT REMOVED FOR CLARITY  
 TORQUE SCREWS TO 10-14 IN.-LBS

PARTS LIST			
ITEM	QTY	PART NUMBER	DESCRIPTION
1	1	WPPC1084BOX	AH1084 MOLDED BOX
2	1	WPPC1084U	AH1084C GASKETED COVER
3	8	RMAHINS10-32UNF	#10-32 UNF COVER & BACK PANEL BRASS INSERT
4	4	RMAHINS1/4-20UNC	1/4-20 UNC MOUNTING FOOT BRASS INSERT
5	1	RMLABLANK3X2	AH1084C LABEL
6	4	RMAHFOOT-001	MOUNTING FOOT (INCLUDED WITH ATAHAK)
7	4	RMSC1/4-20X.5FLPH	1/4-20 x 1/2 FLAT HEAD PHILLIPS MACHINE SCREW
8	1	ATAHAK	ACCESSORY KIT (INCLUDES MOUNTING FEET)

THIS DRAWING IS THE SOLE AND EXCLUSIVE PROPERTY OF ROBROY ENCLOSURES. NO PART OF THIS DRAWING MAY BE REPRODUCED, DISTRIBUTED, OR PUBLICALLY DISPLAYED IN ANY FORM OR BY ANY MEANS WITHOUT THE EXPRESS WRITTEN PERMISSION OF ROBROY ENCLOSURES. ALL RIGHTS RESERVED. UNDER THE COPYRIGHT LAWS. COPYRIGHT © 2016 ROBROY ENCLOSURES

**SPECIAL REQUIREMENTS**

ASSEMBLY:  
 1 (1) ACCESSORY KIT (ATAHAK) SHALL BE PACKAGED LOOSELY INSIDE ENCLOSURE

HARDWARE INCLUDED:  
 - (4) #14-20 x 1/2 FLAT HEAD PHILLIPS MACHINE SCREW (RMSC114-20X.5FLPH)  
 - (4) #10-32 x 5/8 PAN HEAD PHILLIPS MACHINE SCREW (RMSC10132X5/8SS)  
 - (4) #10-32 x 3/8 PAN HEAD SCREW (RMSC10132X3/8ZN)  
 - (4) #10 WASHER (RMWAS10ZN)

2 (1) STYROFOAM SHEET SHALL BE PLACED ON TOP OF COVER INSIDE CARTON

NEMA 250: TYPE 1, 3R, 4, 4X, 6P, 12 IEC 60529: IP66, IP68	STANDARD P/N: AH1084C	ALL DIMENSIONS ARE IN INCHES UNLESS OTHERWISE SPECIFIED	TOLERANCES UNLESS SPECIFIED	.XX ± 0.03	.XXX ± 0.010			
COLOR: N/A COLOR STANDARD: PANTONE 7541 C	CUSTOMER DWG:	<p><b>Robroy Enclosures</b>          500 Maple Street          Belding, Michigan 48809          Phone: 616-794-0700          Fax: 616-749-3378</p>						
MATERIAL: POLYCARBONATE								
<table border="1"> <tr> <td>DRAWN BY: AJC</td> <td>DATE: 10/22/16</td> <td>CUSTOMER:</td> <td>DWG: AH1084C</td> </tr> <tr> <td>SCALE: DO NOT SCALE</td> <td>DESCRIPTION: STANDARD ENCLOSURE</td> <td>PART NUMBER: ATAH1084C</td> <td></td> </tr> </table>	DRAWN BY: AJC					DATE: 10/22/16	CUSTOMER:	DWG: AH1084C
DRAWN BY: AJC	DATE: 10/22/16	CUSTOMER:	DWG: AH1084C					
SCALE: DO NOT SCALE	DESCRIPTION: STANDARD ENCLOSURE	PART NUMBER: ATAH1084C						