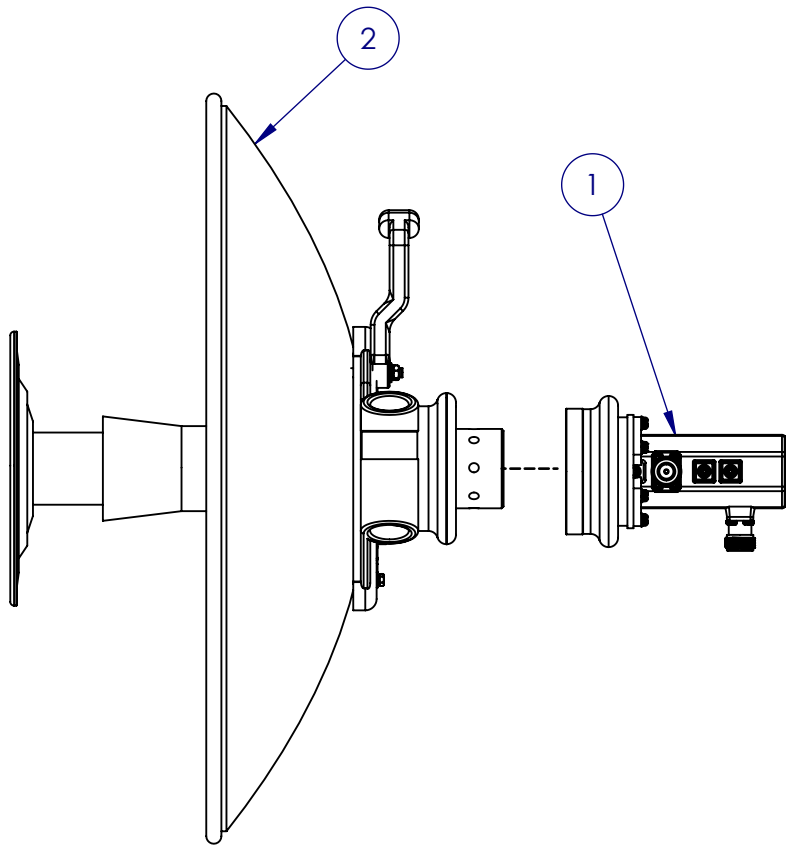
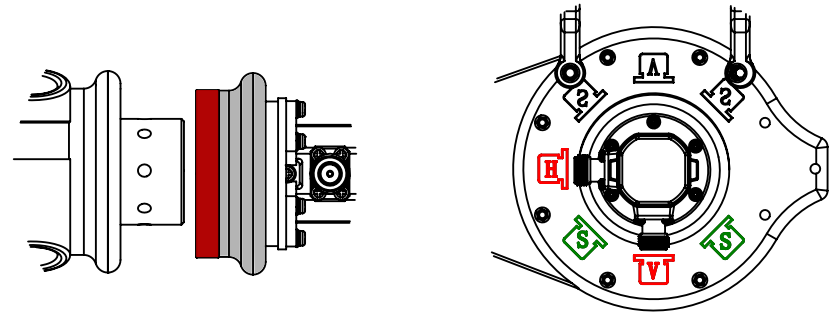


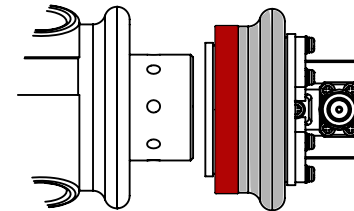
KP-5PDA-N INSTALL SHEET



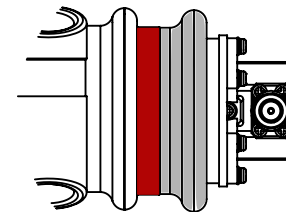
*KP-5PD-1 shown above



Align adapter with feed assembly's input waveguide. Rotate adapter such that direction of connectors is aligned with **H/V** (Horizontal/Vertical) or **S/S** (+/- 45 Slant) indicators on the back of the antenna.



Pull back collar on Quick-Connect Waveguide Coupler.



Slide adapter over feed assembly. Release coupler.

NO.	DESCRIPTION	QTY
1	KP-5PDA-N	1
2	KP-5PD-1 / KP-5PD-2	1