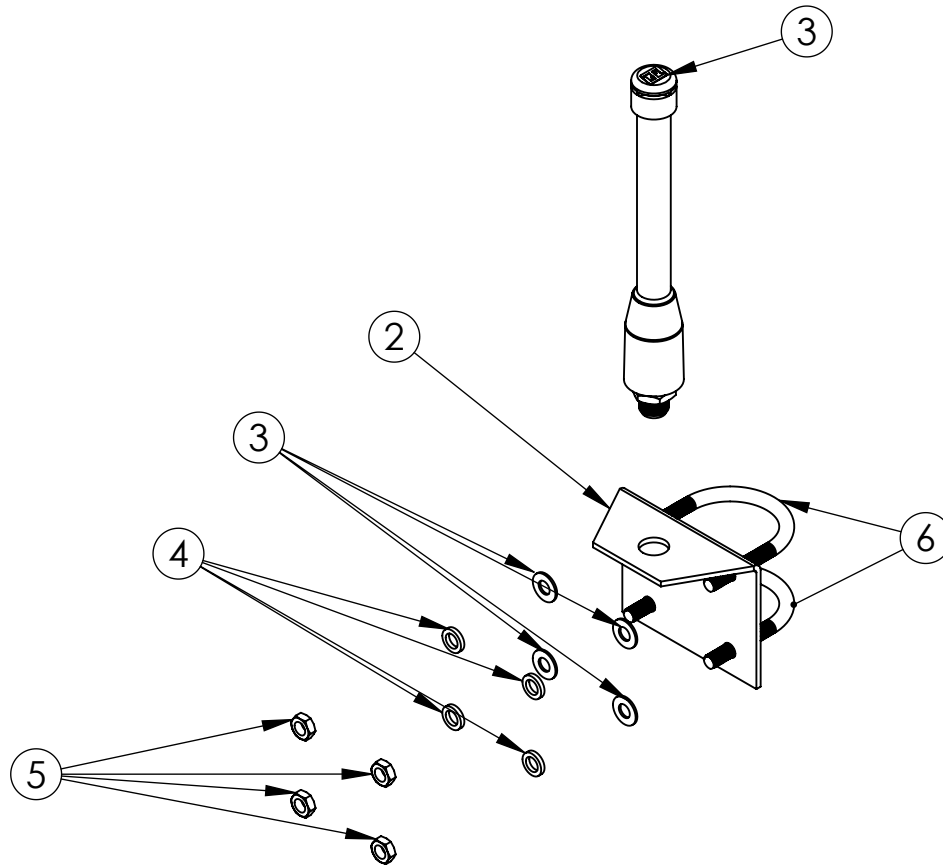


SINGLE POL OMNI INSTALL SHEET



| NO. | DESCRIPTION | QTY. |
|-----|-------------|------|
| 1 | OMNI | 1 |
| 2 | L-BRACKET | 1 |
| 3 | FLAT WASHER | 4 |
| 4 | LOCK WASHER | 4 |
| 5 | HEX NUT | 4 |
| 6 | U-BOLT | 2 |