

880 MHz to 960 MHz Yagi Antenna, 7 dBi, 36in
 LMR400 pigtail coax with Type N Female Connector,
 Adjustable Polarization Pro-Series

KP-960SPY7



Features

- Aircraft Quality 6061-T6 Aluminum with 5/16" Elements with 360° Fully Welded to a 1" Boom
- Powder-Coated Black for Corrosion, Fade, and Ice-Build Up Resistance
- Can be Installed for Either Vertical or Horizontal Polarization
- Comes with 36" LMR400 Pigtails with N-Type Female Connectors

Applications

- 900 MHz Cellular and GSM
- 900 MHz ISM Band & Wireless LAN Systems
- Point to Multipoint & Non Line of Sight
- NLOS Applications
- RFID & SCADA
- LPWAN, LoRA, IoT, M2M

Description

The KP Performance KP-960SPY7 880 MHz to 960 MHz Yagi Antenna is designed for the most rugged conditions and ships the same day. Equipped with an N-Female connector, coaxial connections to a radio are simple and easy. This 900 MHz antenna provides 7 dBi of gain and adjustable polarization. The KP-960SPY7 is ideally suited for 900 MHz ISM bands. This 7 dBi antenna supports Land Mobile Radio for land transportation, utility, manufacturing, and petrochemical companies (oil and gas).

Measuring 13.4 inches long, the N-female KP-960SPY7 from KP Performance is manufactured using robust 5/16" aircraft quality aluminum elements. The KP-960SPY7 elements are completely welded to a 1" boom and painted black. This ensures performance and survivability in the toughest environments.

KP-960SPY7 Yagi Antenna from KP Performance operating from 880 MHz to 960 MHz can cover all your needs for Land Mobile Radio and Utilities communications.

KP Performance 7 dBi 900 MHz 13.4 inch Yagi antennas are high-quality components backed by expert technical support and sales personnel. The KP-960SPY7 is in stock and ready to ship the same day.

Configuration

Design	Yagi
Band Type	Dual
Radiation Pattern	Directional
Polarization	Linear
Cable Type	LMR400
Cable Length	36 in [914.4 mm]
Connector Type	N Female
Number of Ports	1
Housing Material and Plating	Aluminum, Powder Coat

Electrical Specifications

Description	Minimum	Typical	Maximum	Units
Frequency Range	880		960	MHz
Input VSWR		1.3:1	1.5:1	
Impedance		50		Ohms
Gain		7		dBi

Click the following link (or enter part number in "SEARCH" on website) to obtain additional part information including price, inventory and certifications:
[880 MHz to 960 MHz Yagi Antenna, 7 dBi, 36in LMR400 pigtail coax with Type N Female Connector, Adjustable Polarization Pro-Series KP-960SPY7](#)

880 MHz to 960 MHz Yagi Antenna, 7 dBi, 36in
LMR400 pigtail coax with Type N Female Connector,
Adjustable Polarization Pro-Series



KP-960SPY7

Input Power	150	Watts
-------------	-----	-------

Specifications by Band

Description	Band 1	Band 2	Band 3	Band 4	Band 5	Units
Range	880-928	928-960				MHz
Gain	7	7.5				dBi
Horizontal HPBW	100	95				Degrees
Vertical HPBW	60	55				Degrees
Front to Back Ratio	15	26				dB
VSWR Max	1.5:1	1.5:1				

Mechanical Specifications

Housing Material	Aluminum
Housing Plating/Color	Powder Coat
Size	
Length	13.4 in [340.36 mm]
Width	7.1 in [180.34 mm]
Height	2.4 in [60.96 mm]
Mounting Mast Diameter	0.75 to 2 in [19.05 to 50.80 mm]
Weight	3 lbs [1.36 kg]

Environmental Specifications

Temperature	
Operating Range	-40 to +60 deg C
Storage Range	-40 to +140 deg C
Wind Survivability	200 MPH [321.87 KPH]

Compliance Certifications (see [product page](#) for current document)

Plotted and Other Data

Notes:

Click the following link (or enter part number in "SEARCH" on website) to obtain additional part information including price, inventory and certifications:
[880 MHz to 960 MHz Yagi Antenna, 7 dBi, 36in LMR400 pigtail coax with Type N Female Connector, Adjustable Polarization Pro-Series KP-960SPY7](#)

880 MHz to 960 MHz Yagi Antenna, 7 dBi, 36in
LMR400 pigtail coax with Type N Female Connector,
Adjustable Polarization Pro-Series

KP-960SPY7



Appendix

Electrical Downtilt: Angle in the antenna's elevation pattern in which the maximum gain occurs.

Gain: Antenna's average gain.

Front to Back Ratio @ 180°±30°: Average difference between the antenna's maximum gain and the maximum gain in the antenna's back lobe over ±30° angles.

Cross-polarization Ratio (dB): Typical difference between the co-polarization and cross-polarization gain across the sector's 3 dB Beam Width.

Dedicated to serving the needs of the Wireless Internet Service Provider (WISP) market, KP Performance Antennas offers purpose built products that reliably perform in the field. KP Performance Antennas product line consists of Yagi, Grid, Omni, Dish and other style antennas that operate in the 900 MHz, 2.4 GHz, 3 GHz, and 5 GHz frequencies.

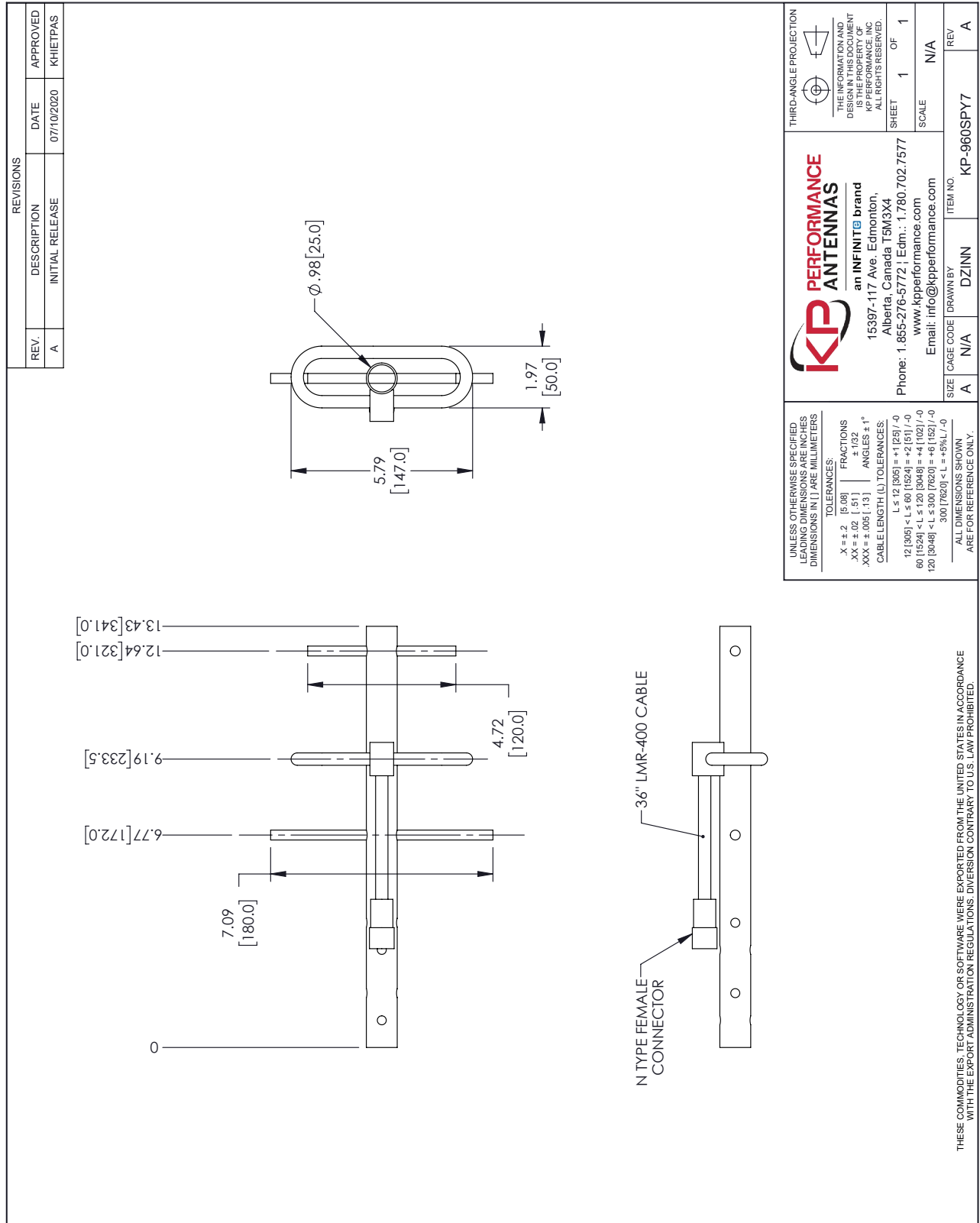
Click the following link (or enter part number in "SEARCH" on website) to obtain additional part information including price, inventory and certifications: [880 MHz to 960 MHz Yagi Antenna, 7 dBi, 36in LMR400 pigtail coax with Type N Female Connector, Adjustable Polarization Pro-Series KP-960SPY7](https://www.kpperformance.com/880mhz-960mhz-7-dbi-36-in-lmr400-pigtail-coax-adjustable-pol-yagi-antenna-kp-960spy7-p.aspx)

URL: <https://www.kpperformance.com/880mhz-960mhz-7-dbi-36-in-lmr400-pigtail-coax-adjustable-pol-yagi-antenna-kp-960spy7-p.aspx>

The information contained within this document is accurate to the best of our knowledge and representative of the part described herein. It may be necessary to make modifications to the part and/or the documentation of the part in order to implement improvements. KP Performance reserves the right to make such changes as required. Unless otherwise stated, all specifications are nominal. KP Performance does not make any representation or warranty regarding the suitability of the part described herein for any particular purpose, and KP Performance does not assume liability arising out of the use of any part or document.

880 MHz to 960 MHz Yagi Antenna, 7 dBi, 36in LMR400 pigtail coax with Type N Female Connector, Adjustable Polarization Pro-Series

KP-960SPY7 CAD Drawing



T-Rev.D