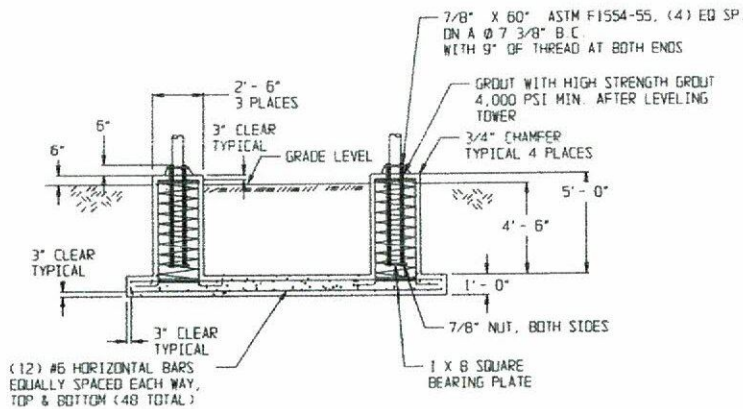
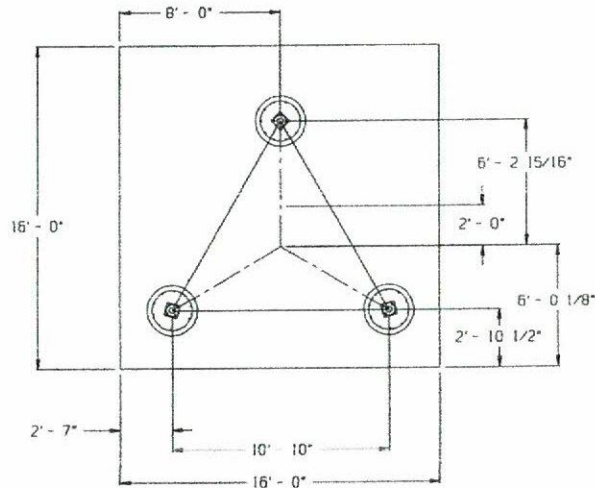
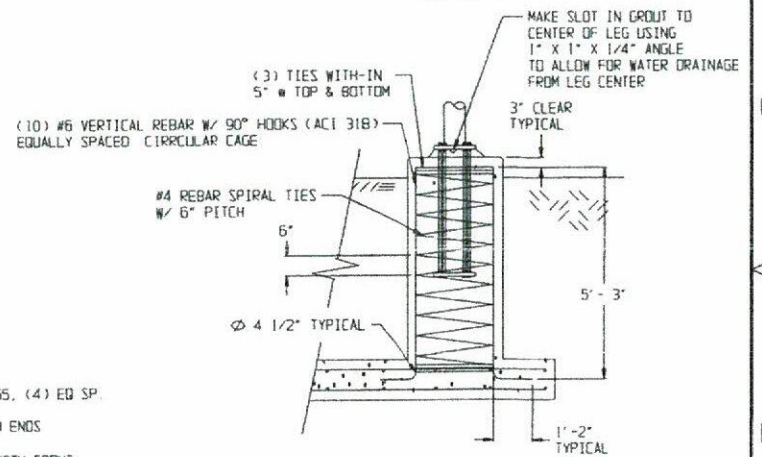
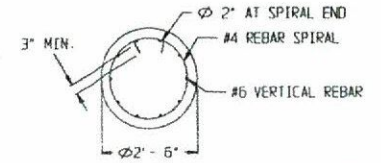


GENERAL CONCRETE AND FOUNDATION NOTES:

1. THE CONCRETE SHALL CONSIST OF 6 SACKS OF CEMENT PER CUBIC YARD, 1" AGGREGATE MAXIMUM, AND 6.0 GALLONS OF WATER PER 94 LB SACK OF TYPE 2 CEMENT, FOR A MINIMUM COMPRESSIVE STRENGTH OF 3000 PSI AT 28 DAYS. THE SLUMP SHALL NOT EXCEED 4.5" PLUS OR MINUS 1" INCH.
2. FABRICATIONS DETAILS SHALL CONFORM TO THE A.C.I. MANUALS OF STANDARD PRACTICE.
3. SPLICES IN REINFORCING STEEL SHALL BE LAPPED 40 DIAMETERS MINIMUM UNLESS OTHERWISE NOTED.
4. ALL REBAR, ANCHOR BOLTS, BEARING PLATES AND OTHER MEMBERS OF THE FOUNDATIONS SHALL BE WELL SECURED PRIOR TO POURING CONCRETE.
5. ALL CONCRETE SHALL HAVE A BROOM FINISH.
6. ANCHOR BOLTS TO BE ASTM F1554-55.
7. ALL REINFORCING STEEL SHALL HAVE A MINIMUM CONCRETE COVER OF 3" FOR SURFACES POURED AGAINST EARTH AND 2" OF FORMED SURFACES EXPOSED TO GROUND OR WEATHER.
8. ALL WORK SHALL CONFORM TO THE 2016 CALIFORNIA BUILDING CODE.
9. THE SOIL SHALL MEET OR EXCEED THE SOIL PER THE CBC 2016, TYPE 5.
10. NO WELDING OF REBAR IS REQUIRED WITH THE EXCEPTION OF TACKING THE REBAR CAGE. NO SPECIAL INSPECTION IS REQUIRED.
11. THE BOTTOM OF THE EXCAVATION SHALL BE CLEAR AND FREE OF LOOSE SOIL. SAFETY PRECAUTIONS SHALL BE USED TO INSURE THE EXCAVATION PRESENTS NO HAZARDS TO OTHERS IF LEFT UNATTENDED.
12. THE FOOTING SHALL PENETRATE AND BEAR UPON UNDISTURBED SOIL OR BACK FILL SOIL HAVING A MINIMUM IN PLACE DENSITY OF 90% OF THE MAXIMUM DENSITY AT OPTIMUM MOISTURE CONTENT ESTABLISHED BY ASTM-D1557-70.
13. REINFORCING STEEL SHALL MEET ASTM A615-75A GRADE 40 FOR #5 AND SMALLER AND GRADE 60 FOR #6 AND LARGER.



CONCRETE: 11.7 CUBIC YARDS



TYPICAL PIER DETAIL

ITEM	QTY	PART NUMBER	DESCRIPTION
4	3	-	TEMPLATE, 10 GA X 8 SQUARE
3	3	-	BEARING PLATE, 1 X 8 SQUARE
2	60	-	NUT, 7/8-9 UNC HEX GALLY
1	12	-	ANCHOR BOLT, 7/8 DIA X 60" W/ 90° THREAD BOTH ENDS ASTM F1554-55

PART NO		APPROVALS		DATE	TITLE
DRAWN	TAN	03/21/10			TKD-150'-307-6L SS TOWER
CHECKED					
ENG APPR					
DO NOT SCALE DRAWING	SCALE NONE	SHEET	CAGE CODE	DRAWING NO	REV
				S-2	-
					SHEET 3 OF