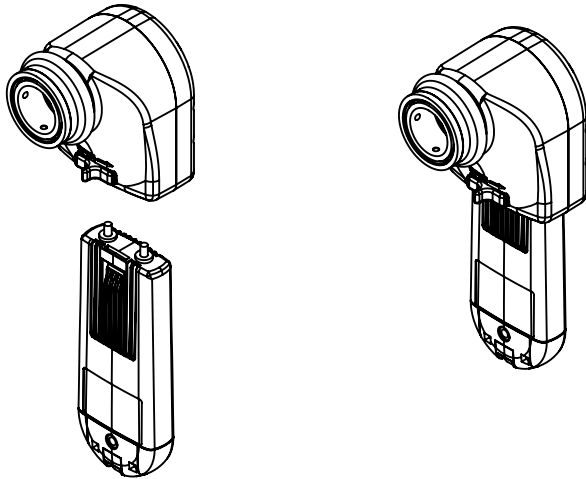


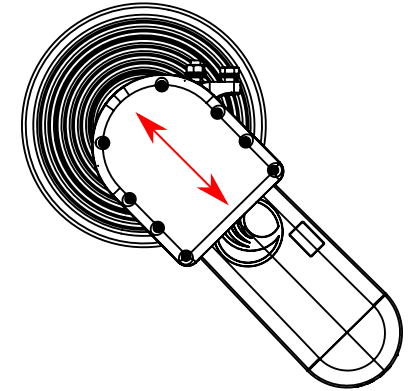
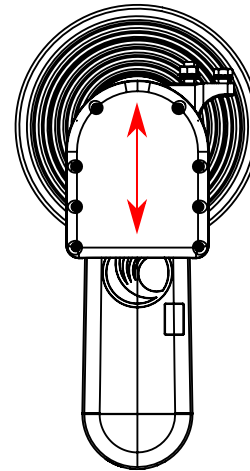
**KP-5PDA-EPMP13L INSTALL SHEET**

Horizontal/Vertical Polarization

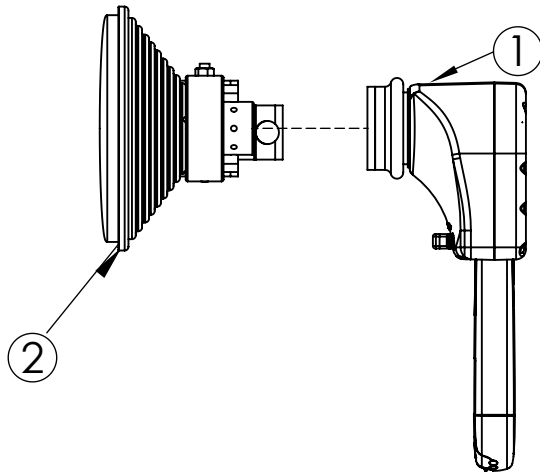
+/- 45 Slant Polarization



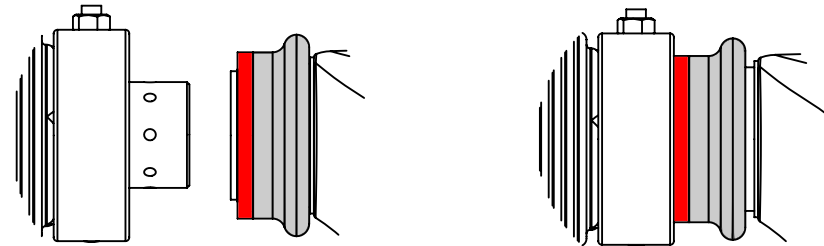
1. Push Cambium radio into the adapter until it locks into place. To release the radio, slide tab to the open position.



3. For horizontal/vertical polarization, align the radio to point up-down. For +/- 45 Slant polarization, align the radio at a 45 degree angle.



2. Align assembled radio adapter with feed assembly's input waveguide.



4. Pull back collar on Quick-Connect Waveguide Coupler. Slide adapter over feed assembly. Release collar to lock into place.

NO.	Description	QTY
1	KP-5PDA-EPMP13L	1
2	ProLine 5GHz Horn or Parabolic Antenna	1