



802.11ac 5GHz miniPCIe Radio

Model: WLE600V5-18

FEATURES

- Qualcomm-Atheros QCA9882
- Maximum 18dBm output power (per chain), 21dBm (aggregate)
- IEEE 802.11ac complaint & backward compatible with 802.11a/n
- 2X2 MIMO Technology & up to 867Mbps
- MiniPCI Express 1.1 interface
- Supports Spatial Multiplexing, Cyclic-Delay Diversity (CDD), low-density parity check (LDPC), Maximal Ratio Combining (MRC), Space Time Block Code (STBC)
- Supports IEEE 802.11d, e, h, I, k, RO, v time stamp, and w standards
- Supports Dynamic Frequency Selection (DFS)
- Cards are individually calibrated for Quality Assurance

APPLICATIONS (combined with WPJ344)

- Indoor AP
- Outdoor AP
- 802.11ac CPE
- 802.11ac Point to Point

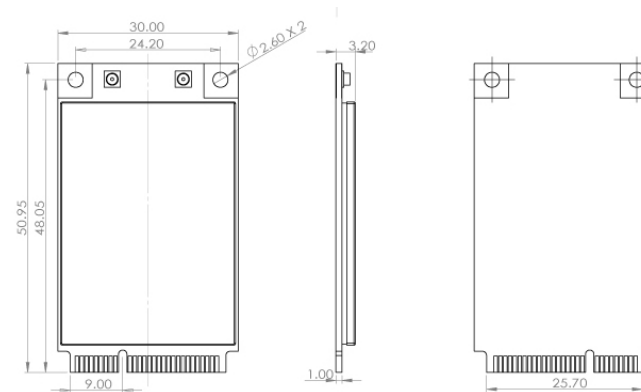


*Supported by either CompexWRT with Atheros Reference Wireless Driver OR OpenWRT with ath10k Wireless Driver on WPJ344.

TECHNICAL SPECIFICATIONS

SYSTEM INFORMATION	
Chipset	QCA9882
Host Interface	PCI-Express 1.1 Standard
Operating Voltage	3.3 VDC
Power Consumption	5W
Antenna Connector	2 x U.FL
Frequency Range	5.150 ~ 5.875 GHz
Modulation Techniques	OFDM: BPSK, QPSK, 16-QAM, 64-QAM, 256-QAM
RoHS Compliance	Yes
Temperature Range	Operating: -20°C to 70°C; Storage: -40°C to 90°C
Humidity	Operating: 5% to 95% (non-condensing) Storage: Max.90% (non-condensing)
Dimensions (mm)	50.95 x 30 x 3.2 (H x W x D)

DIMENSION DRAWING





TX SPECIFICATIONS

	DataRate	TX Power (per chain)	TX Power (2 chains)	Tolerance		DataRate	TX Power (per chain)	TX Power (2 chains)	Tolerance
802.11a	6Mbps	18dBm	21dBm	±2dB	5GHz 11n/11ac HT20	MCS 0	18dBm	21dBm	±2dB
	9Mbps	18dBm	21dBm	±2dB		MCS 1	18dBm	21dBm	±2dB
	12Mbps	18dBm	21dBm	±2dB		MCS 2	18dBm	21dBm	±2dB
	18Mbps	18dBm	21dBm	±2dB		MCS 3	18dBm	21dBm	±2dB
	24Mbps	18dBm	21dBm	±2dB		MCS 4	18dBm	21dBm	±2dB
	36Mbps	17dBm	20dBm	±2dB		MCS 5	16dBm	19dBm	±2dB
	48Mbps	17dBm	20dBm	±2dB		MCS 6	16dBm	19dBm	±2dB
	54Mbps	15dBm	18dBm	±2dB		MCS 7	15dBm	18dBm	±2dB
5GHz 11n/11ac HT40	MCS 0	18dBm	21dBm	±2dB		MCS 8	15dBm	18dBm	±2dB
	MCS 1	18dBm	21dBm	±2dB		MCS 0	18dBm	21dBm	±2dB
	MCS 2	18dBm	21dBm	±2dB		MCS 1	18dBm	21dBm	±2dB
	MCS 3	18dBm	21dBm	±2dB		MCS 2	18dBm	21dBm	±2dB
	MCS 4	18dBm	21dBm	±2dB		MCS 3	18dBm	21dBm	±2dB
	MCS 5	16dBm	20dBm	±2dB		MCS 4	18dBm	21dBm	±2dB
	MCS 6	16dBm	20dBm	±2dB		MCS 5	16dBm	20dBm	±2dB
	MCS 7	15dBm	18dBm	±2dB		MCS 6	16dBm	20dBm	±2dB
	MCS 8	15dBm	18dBm	±2dB	MCS 7	15dBm	18dBm	±2dB	
	MCS 9	13dBm	16dBm	±2dB	MCS 8	15dBm	18dBm	±2dB	
				MCS 9	13dBm	16dBm	±2dB		

RX SPECIFICATIONS

	DataRate	Sensitivity	Tolerance		DataRate	Sensitivity	Tolerance
802.11a	6Mbps	-94dBm	±2dB	5GHz 11n/11ac HT20	MCS 0	-94dBm	±2dB
	9Mbps	-94dBm	±2dB		MCS 1	-94dBm	±2dB
	12Mbps	-94dBm	±2dB		MCS 2	-92dBm	±2dB
	18Mbps	-92dBm	±2dB		MCS 3	-88dBm	±2dB
	24Mbps	-89dBm	±2dB		MCS 4	-84dBm	±2dB
	36Mbps	-86dBm	±2dB		MCS 5	-81dBm	±2dB
	48Mbps	-82dBm	±2dB		MCS 6	-78dBm	±2dB
	54Mbps	-80dBm	±2dB		MCS 7	-77dBm	±2dB
5GHz 11n/11ac HT40	MCS 0	-93dBm	±2dB		MCS 8	-74dBm	±2dB
	MCS 1	-91dBm	±2dB		MCS 0	-89dBm	±2dB
	MCS 2	-90dBm	±2dB		MCS 1	-88dBm	±2dB
	MCS 3	-85dBm	±2dB		MCS 2	-85dBm	±2dB
	MCS 4	-82dBm	±2dB		MCS 3	-81dBm	±2dB
	MCS 5	-78dBm	±2dB		MCS 4	-79dBm	±2dB
	MCS 6	-77dBm	±2dB		MCS 5	-75dBm	±2dB
	MCS 7	-75dBm	±2dB		MCS 6	-74dBm	±2dB
	MCS 8	-73dBm	±2dB	MCS 7	-72dBm	±2dB	
	MCS 9	-71dBm	±2dB	MCS 8	-70dBm	±2dB	
			MCS 9	-68dBm	±2dB		