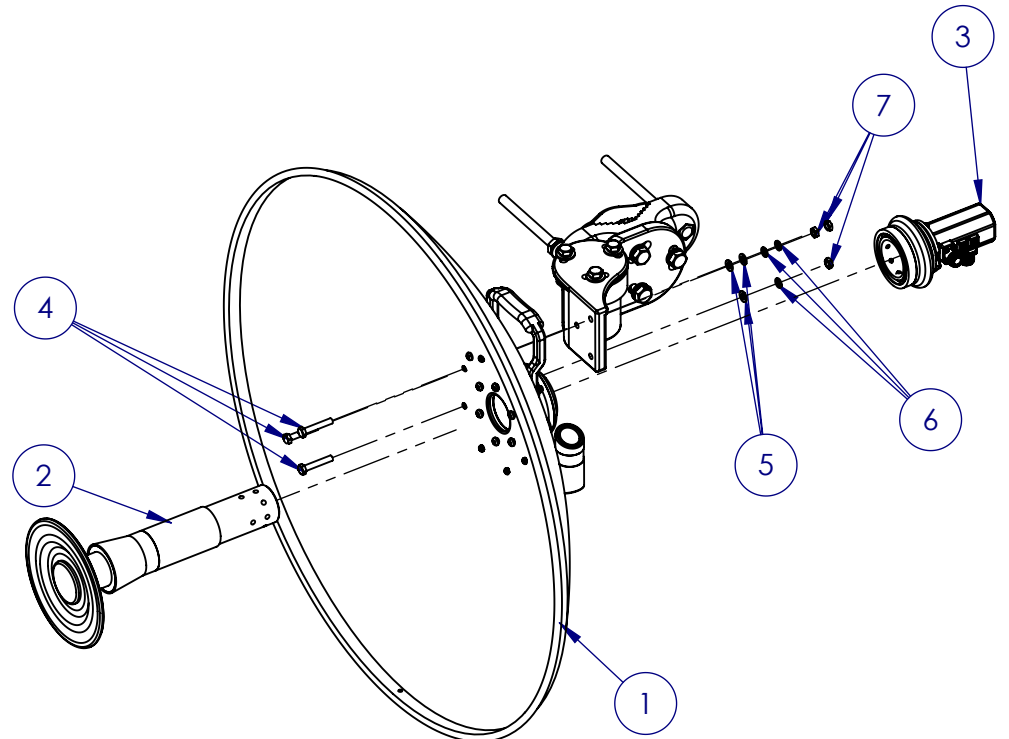


TOWER BRACKET ASSEMBLY

| NO. | DESCRIPTION | QTY. |
|-----|------------------------|------|
| 1 | FINE AZIMUTH BRACKET | 1 |
| 2 | FINE ELEVATION BRACKET | 1 |
| 3 | PIPE BRACKET A | 1 |
| 4 | PIPE BRACKET B | 1 |
| 5 | M10x150 HEX BOLT | 2 |
| 6 | M10 NUT | 2 |
| 7 | M10 LOCK WASHER | 2 |
| 8 | M10 FLAT WASHER | 2 |
| 9 | M8x35 HEX BOLT | 3 |
| 10 | M8 LOCK WASHER | 3 |
| 11 | M8 FLAT WASHER | 3 |
| 12 | M10X45 HEX BOLT | 3 |
| 13 | M10 LOCK WASHER | 3 |
| 14 | M10 FLAT WASHER | 3 |



TOOLS REQUIRED: 13MM WRENCH/SOCKET
17MM WRENCH/SOCKET

RECOMMENDED TORQUE SPECIFICATIONS

⑥ ⑨ ⑫ - 25 Nm

Go to www.kpperformance.com for more detailed installation instructions.

| NO. | DESCRIPTION | QTY. |
|-----|---------------------------|------|
| 1 | 2' Parabolic Dish | 1 |
| 2 | WAVEGUIDE FEED | 1 |
| 3 | N-TYPE WAVEGUIDE LAUNCHER | 1 |
| 4 | M5X40 PHILLIPS PAN HEAD | 3 |
| 5 | M5 FLAT WASHER | 3 |
| 6 | M5 LOCK WASHER | 3 |
| 7 | M5 NUT | 3 |
| 8 | PIPE BRACKET ASSEMBLY | 1 |