

High Power Solar Panels

Features

- Outstanding Low Light Performance.
- Solar cells laminated with TPT/EVA bi-layer for long life. 25 year solar cell output warranty.
- High Efficiency with high transparency low iron tempered glass cover. Rugged extruded anodized aluminum frame.
- Sealed for protection from harsh environments.
- Enclosed junction box for wired connections.

Applications

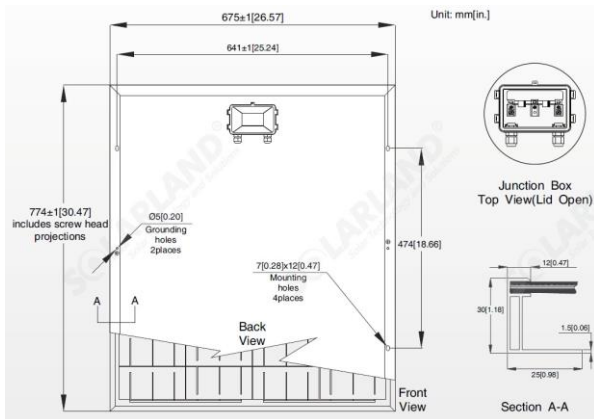
- Battery Charging Applications
- Surveillance Cameras
- Wireless Base Stations
- Outdoor Lighting
- On-Grid or Off-Grid systems
- Backup Power Systems



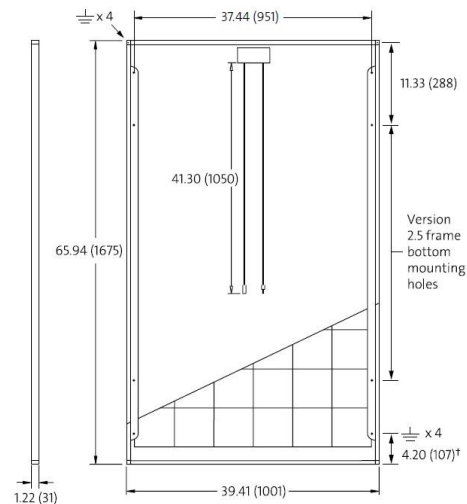
Description

The TPSHP series solar panels are high efficiency designs with excellent low light performance. The multicrystalline silicon solar cells are laminated with a TPT (Tedlar/Polyester/Tedlar) and EVA (Ethylene Vinyl Acetate) bi-layer for high reliability and long life. The cell array is sealed in a heavy duty extruded aluminum frame with a high transparency low iron tempered glass cover to protect the solar cells from harsh environments; hail, wind, snow and ice.

The solar panels are easy to mount because of the aluminum frame design. The wired connections are via a weatherproof junction box on the back of the panels. The Normal Operating Cell Temperature is specified at 47°C.

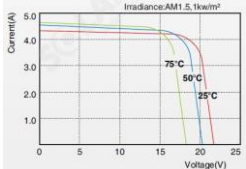
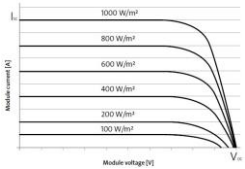


70W Solar Panel



260W Solar Panel

Specifications

	TPSHP-12-70	TPSHP-24-250
Maximum Power (+/-5%)	70W	260W
Voltage at Pmax (Vmp)	17.2V	31.4V
Current at Pmax (Imp)	4.07A	8.37A
Open Circuit Voltage (Voc)	21.6V	38.4V
Short Circuit Current (Isc)	4.35A	8.94A
Short Circuit I Temp Coeff	.065% / °C	.081% / °C
Open Circuit V Temp Coeff	-80mV / °C	-.37% / °C
Output Power Temp Coeff	0.5%/°C	-.45% / °C
Continuous Power Capability (6hrs average sunlight per day)	17W	62W
Operating Temperature	-40 to +85 C (-40 to 185 F)	
Size	774 x 675 x 30mm (30.5 x 26.6 x 1.2")	1675 x 1001 x 33mm (65.9 x 39.4 x 1.3")
Weight	6kg (13.2lb)	18kg (39.7lb)
IV Graph		
Warranty	5 Years Workmanship / 25 Year Output	



System Ordering:

- TPSHP-12-70** 12V 70W Solar Panel
- TPSHP-24-250** 24V 260W Solar Panel

For further information contact:

Tyconpower.com



14641 S 800 W Ste A
Bluffdale, UT 84065
PH: 801-432-0003
FAX: 801-618-4220